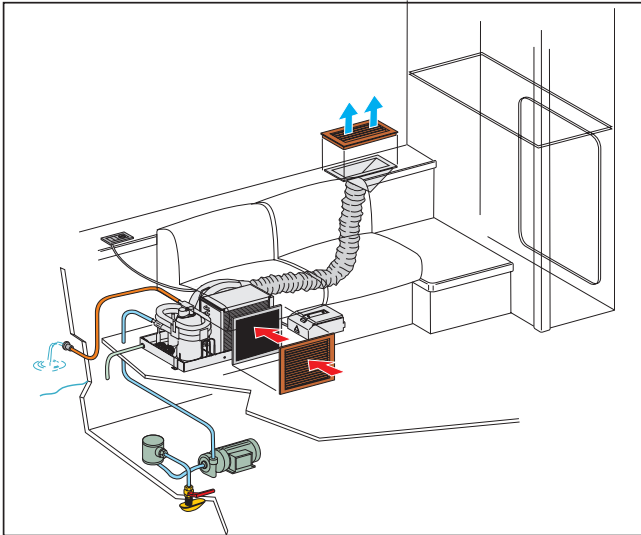
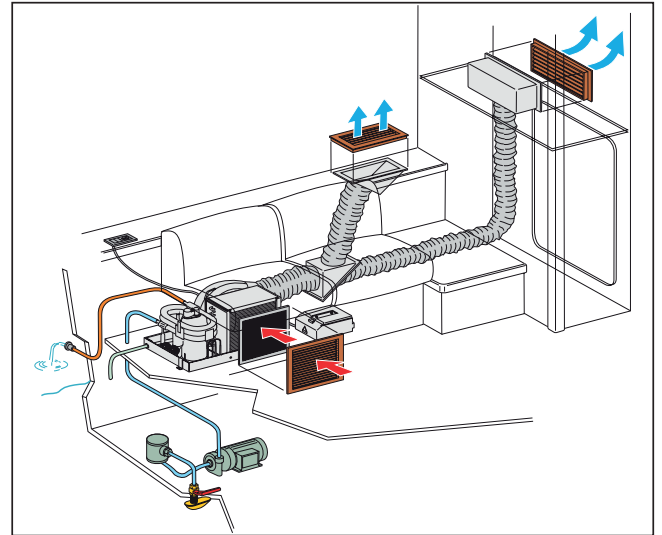


Climma Compact Range

- Highly efficient • Sea water cooled • Eco friendly refrigerant R410A
- Options of reverse cycle or electric heat • Global support and service
- 50 / 60 Htz Units available • Kits from 3500 - 24000 BTU with single or twin outlet ready to install



Climma Compact Single Outlet



Climma Compact Double Outlet

SINGLE OUTLET			
		Alloy Grills	Teak Grills
Compact 3.5 Kit	Digital Display, 3m duct, 100x100 delivery grill	£1,663.84	£1720.38
Compact 7 Kit	Digital Display, 3m duct, insulated back box, duct connector & 200x100 delivery grill	£2,432.67	£2,461.97
Compact 10 Kit	Digital Display, 3m duct, insulated back box, duct connector & 300x100 delivery grill	£2,627.67	£2,663.38
Compact 12 Kit	Digital Display, 3m duct, insulated back box, duct connector & 300x100 delivery grill	£2,728.38	£2,764.09
Compact 16 Kit	Digital Display, 3m duct, insulated back box, duct connector & 400x100 delivery grill	£3,166.47	£3,208.59

DOUBLE OUTLET			
		Alloy Grills	Teak Grills
Compact 7 Kit	Digital Display, 6m duct, duct splitter, 2x insulated back boxes, 2x duct connectors, to 2x 200x100 delivery grills	£2,675.30	£2,724.74
Compact 10 Kit	Digital Display, 6m duct, duct splitter, 2x insulated back boxes, 2x duct connectors, to 1x 300x100 & 1x 200x100 delivery grills	£2,901.43	£2,967.35
Compact 12 Kit	Digital Display, 6m duct, duct splitter, 2x insulated back boxes, 2x duct connectors, to 1x 300x100 & 1x 200x100 delivery grills	£3,002.14	£3,224.06
Compact 16 Kit	Digital Display, 6m duct, duct splitter, 2x insulated back box, 2x duct connectors, to 1x 400x100 & 1x 200x100 delivery grills	£3,440.23	£3,512.56
Compact 17 Slim Kit	Digital Display, 6m duct, insulated back box, duct connector & 2x 300x100 delivery grills	£3,644.85	£3,716.27
Compact 24 Slim Kit	Digital Display, 6m duct, insulated back box, duct connector & 2x 300x100 delivery grills	£4,000.15	£4,071.57

PUMPS AND EQUIPMENT FOR SEA WATER COOLING				
		1x AC	2x AC	3-6 AC
A092819C	4,000 BTU capacity sea water pump 230/1/50-60	£180.22	-	-
IM3353A	16,000 Capacity sea water pump 120w md 230/1/50-60	£510.88	£601.52	-
IM73295U	30,000 Capacity sea water pump 3md 65 230/1/50-60	£552.08	£642.72	£709.81
IM67270U	60,000 Capacity sea water pump b-c3m20a 370w 230/1/50	£574.05	£664.69	£731.78
SEA WATER FITTINGS				
ACSWKIT	Kits includes scoop intake, ball valve, outlets with ball valves and manifold & strainer	£116.28	£200.33	£330.06

Sea Water Pump and Fittings



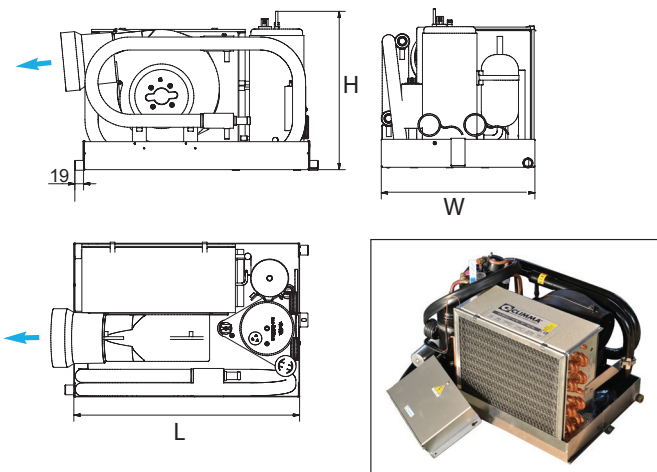
All prices are retail ex VAT

*Kits exclude air return grills which are sold separately



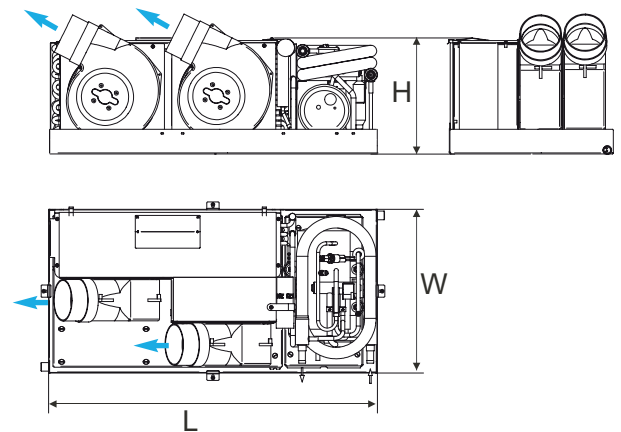
Climma Compact Range

Climma Compact Dimensions



	Compact 3.5	Compact 7	Compact 10	Compact 12	Compact 16
(H) Height (mm)	224	316	340	340	358
(W) Width (mm)	204	315	330	330	365
(L) Length (mm)	381	425	523	523	605

Climma Compact Slim Dimensions



	Compact 17 SLIM	Compact 24 SLIM
(H) Height (mm)	270	340
(W) Width (mm)	398	398
(L) Length (mm)	800	800

	Compact 3.5	Compact 7		Compact 10		Compact 12		Compact 16		Compact 17 SLIM		Compact 24 SLIM	
	RC	EH	RC	EH	RC	EH	RC	EH	RC	EH	RC	EH	RC
Power 230/1/50 ¹	RC	EH	RC	EH	RC	EH	RC	EH	RC	EH	RC	EH	RC
PART NUMBER	MC35RCU	MC7EHU	MC7RCU	MC10EHU	MC10RCU	MC12EHU	MC12RCU	MC16EHU	MC16RCU	MC17EHU	MC17RCU	MC24EHU	MC24RCU
Nominal capacity Btu/h	3500	7000	7000	10000	10000	12000	12000	16000	16000	17000	17000	24000	24000
Run Amp	1,6	2,16	2,16	3,79	3,79	3,71	3,71	5,6	5,6	5,9	5,9	7	7
Average start Amp	3,2	4,32	4,32	7,6	7,6	7,4	7,4	11,2	11,2	11,8	11,8	14	14
Locked rotor Amp	5,2	16,0	16,0	18,3	18,3	21,8	21,8	34	134	25	25	36,5	36,5
Nominal capacity Btu/h	3500	4500	7000	5500	10000	5500	12000	7000	16000	8900	17000	8900	24000
Run Amp	1,8	6,1	2,85	7,8	4,66	7,8	4,83	9,8	6,6	11,2	7,2	11,2	8
Average start Amp	3,6		5,7		9,2		9,7		13,2		14,4		16
Locked rotor Amp	5,2		14,2		18,3		21,8		34		25		36,5
Net weight in kg	12	23	23	28	28	28,50	28,50	40	40	42	42	37	37
Refrigerant	R134A	R410A	R410A	R410A	R410A	R410A	R410A	R407C	R407C	R407C	R407C	R407C	R407C
Duct size (mm)	100	100	100	125	125	125	125	150	150	2 x 100	2 x 100	2 x 125	2 x 125
Air flow m ³ /h (max speed)	230	320	320	530	530	530	530	900	900	600	600	780	780

¹EH, Electrical Heating - RC, Reverse Cycle
²Some models also available in power options 230/1/60 & 115/1/60