

## Stainless steel refrigeration solutions.

### KEY BENEFITS

- Constructed in stainless steel AISI 304 throughout
  - Option of internal ice box or hidden evaporator for fridge cabinets
  - Excellent insulation: minimum 50 mm for fridges and 80 mm for freezers
  - Heated magnetic door seals as standard on freezers
  - Temperature control by internal thermostat
  - 180° door opening with slam latch catch
  - Polished stainless interior with height adjustable grill shelves
  - Brushed stainless steel rolled edge door
  - Fridge doors fitted with stainless steel bottle holders as standard
  - Condensate water drains fitted to all fridges with hidden evaporators
  - Remote cooling unit to maximize volume, reduce noises and improve efficiency
- *Costruiti completamente in acciaio inox AISI 304, lucido e satinato*
  - *Evaporatore integrato, opzione a celletta per la versione frigorifero*
  - *Massimo isolamento, minimo 50 mm per frigoriferi e 80 mm per freezer*
  - *Guarnizioni magnetiche con resistenza anticondensa per i freezer*
  - *Regolazione della temperatura con termostato interno*
  - *Apertura porta 180°*
  - *Ripiani in acciaio inox regolabili in altezza con bordi antirollio*
  - *Cella con spigoli ed angoli arrotondati*
  - *Portabottiglie e portatlattine in acciaio inox nella versione frigorifero*
  - *Scarico condensa per frigoriferi con evaporatore integrato*
  - *Unità refrigerante remota per ottimizzare i volumi, eliminare i rumori e migliorare l'efficienza*

### THE PRODUCT

The FRIGOBOAT MS Series are the best quality marine fridge and freezer cabinets available. A complete range of fridges, freezers and wine cellars for blue water cruisers and all other high end marine applications - nothing else comes close. The MS Series cabinets are the result of VECO's 40 years' experience in designing and producing marine refrigeration under the World renowned FRIGOBOAT brand.

Built in AISI 304 stainless steel throughout, they fit perfectly in every environment, or they can be easily integrated to match the interior or galley design with the panel option. The elegant polished stainless steel interior is equipped with height-adjustable shelves, with optional bottle holders for the fridge version. Interiors can also be completely customized using the many options and extras available.

Every details matters. FRIGOBOAT MS Series cabinets feature excellent door seals with compression slam latches, brushed stainless rolled edge doors, interior lightning and magnetic seals; are just some of the characteristics that make the product one of the most innovative in the marine refrigeration field, adapting to every navigation condition.

Designed to run from FRIGOBOAT remote cooling units ensures you use all the available space for refrigeration while also removing the noise from the cooling unit away from the living area.

FRIGOBOAT insist on using the maximum insulation possible to maximize efficiency and minimize power consumption, using a minimum of 50mm polyurethane foam for fridges and 80mm for freezers. Even with the stylish Wine Cellar version insulation is maintained with insulated double glazing technology in the door.

FRIGOBOAT MS Series cabinets are designed to run with FRIGOBOAT's extensive range of air cooled, keelcooled or pumped water cooling units allowing you to select the option that gives you the maximum efficiency or optimized for the installation requirements of the boat.

*I mobili frigoriferi FRIGOBOAT MS Series, studiati appositamente per imbarcazioni, sono il risultato della grande esperienza VECO nel settore della refrigerazione marina, abbinando ad un design innovativo la qualità che da sempre distingue il marchio FRIGOBOAT.*

*Una gamma completa di frigoriferi, freezer e cantine vino per soddisfare qualsiasi esigenza.*

*Costruiti completamente in acciaio inox, i mobili frigoriferi FRIGOBOAT MS Series diventano un importante elemento d'arredo. Grazie all'opzione per la pannellatura, possono inoltre essere facilmente integrati nell'arredamento dell'imbarcazione. Gli interni, sempre in acciaio inox, sono forniti con eleganti scaffali regolabili in altezza e portabottiglie nella versione frigo, ma possono essere completamente personalizzati grazie alle molte opzioni disponibili.*

*La cura dei dettagli, la lavorazione dei materiali con tecnologie d'avanguardia, la chiusura con maniglia, gli spigoli arrotondati, la luce interna e la guarnizione magnetica, sono solo alcune delle tante caratteristiche che contribuiscono a rendere il prodotto tra i più innovativi del settore, adattandosi perfettamente a qualsiasi condizione di navigazione.*

*Progettati per essere utilizzati con un unità refrigerante FRIGOBOAT remota, permettono di eliminare completamente i rumori e di sfruttare al massimo gli spazi disponibili in barca.*

*Grazie all'importante isolamento in pluriuretano espanso, con un minimo di 50 mm per i frigoriferi e di 80 mm per i freezer, i mobili frigoriferi FRIGOBOAT MS Series garantiscono il massimo isolamento minimizzando i consumi; anche nelle eleganti versioni FRIGOBOAT cantina vino l'isolamento viene garantito grazie ai doppi vetri della porta.*

*I mobili frigoriferi FRIGOBOAT MS Series sono progettati per essere abbinati alle diverse unità refrigeranti della linea FRIGOBOAT, sia con raffreddamento ad aria che ad acqua, per ottenere la massima efficienza del sistema adattando l'installazione alle necessità della propria imbarcazione.*



Freezer



Fridge | Freezer



Fridge with ice box



Two drawers Fridge | Freezer



Wine Cellar

	Product Code	Model	Ice Box	Size (LxDxH) (mm)	Insulation (mm)	Shelves	Bottle holders	Can holders	Capacity (lt)	Net weight (kg)	Volume (lt <sup>3</sup> )
Fridges	G52150	MS 42	Yes	380 x 362 x 510	50	1	1	0	42	26	0,07
	G52160	MS 80	Yes	470 x 435 x 600	50	1	1	1	80	32	0,12
	G50760	MS 115	Yes	480 x 485 x 840	50	3	1	1	115	39	0,20
	G50840	MS 130	Yes	530 x 530 x 745	50	3	1	1	130	41	0,21
	G50845	MS 160	Yes	545 x 550 x 840	50	3	1	2	160	43	0,25
	G52145	MS 42 IN	No	380 x 362 x 510	50	1	1	0	42	26	0,07
	G52155	MS 80 IN	No	470 x 435 x 600	50	1	1	1	80	32	0,12
	G51365	MS 115 IN	No	480 x 485 x 840	50	3	1	1	115	39	0,20
	G51295	MS 130 IN	No	530 x 530 x 745	50	3	1	1	130	41	0,21
	G51050	MS 160 IN	No	545 x 550 x 840	50	3	1	2	160	43	0,25
G51610	MS 180 IN	No	545 x 550 x 1000	50	4	1	2	180	45	0,30	

	Product Code	Model	Ice Box	Size (LxDxH) (mm)	Insulation (mm)	Shelves	Capacity (lt)	Net weight (kg)	Volume (lt <sup>3</sup> )
Freezers	G51370	MS 60	No	480 x 485 x 840	80	3	60	39	0,20
	G51155	MS 80	No	530 x 530 x 745	80	3	80	41	0,21
	G51615	MS 90	No	545 x 550 x 680	80	2	90	42	0,21
	G51045	MS 110	No	545 x 550 x 840	80	3	110	43	0,25

	Product Code	Model	Ice Box	Size (LxDxH) (mm)	Insulation (mm)	Bottle Capacity	Capacity (lt)	Net weight (kg)	Volume (lt <sup>3</sup> )
Wine cellars	G51270	MSC 115	No	480 x 485 x 840	50	18	115	43	0,20
	G51275	MSC 130	No	530 x 530 x 745	80	20	130	45	0,21
	G51280	MSC 160	No	545 x 550 x 840	80	23	160	48	0,25

	Product		Model	Size	
	12V	24V		(WxD1xH1)	(WxD2xH2)*
Fridge and Freezer Drawers	G60030		FRIDGE MS115 2D	480x435x940	480x485x864
	G60035		FRIDGE MS130 2D	530x480x745	530x530x769
	G60040		FRIDGE MS160 2D	545x500x840	545x550x864
	G6004512	G6004524	FREEZER MS60 2D	480x435x840	480x485x864
	G6005012	G6005024	FREEZER MS80 2D	530x480x745	530x530x769
	G6005512	G6005524	FREEZER MS90 2D	545x500x680	545x550x704
	G6006012	G6006024	FREEZER MS110 2D	545x500x840	545x550x864

WxD1xH1 is excluding door and feet, WxD2xH2 is including them.

2013 NEW DRAWERS

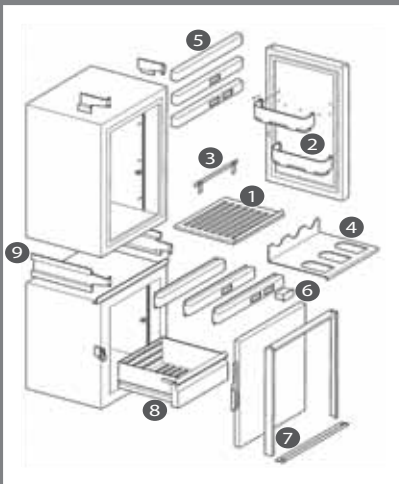


Get the brochure with all the technical specs!



Other Sizes	
Feet	25 mm
Handle	25 mm
Hinge	10 mm
Space required on the back	30mm
Fitting Frame	25 mm

Door size is included in the cabinet size.  
Cooling unit is not included in the cabinet.



Option and extras

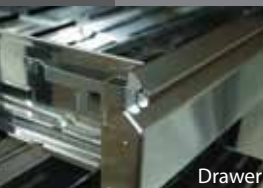
- 1 Additional height adjustable stainless steel shelves
- 2 Additional bottle and can holders
- 3 Shelf fiddles
- 4 Wine shelves
- 5 Thermostat stainless steel support
- 6 Thermostat displays
- 7 Wood panel surround
- 8 Internal drawers
- 9 Solution for two modules mounting
- 10 Stainless steel AISI 316



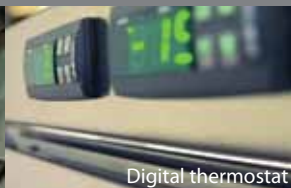
Paneled door



Two module solution



Drawer



Digital thermostat



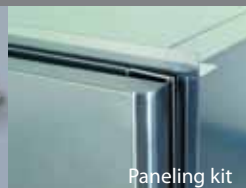
Wine shelves



Two modules kit



Shelves



Paneling kit

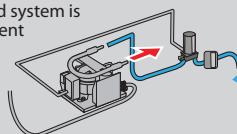
AIR-COOLED

Standard air-cooled system. Less efficient than a water cooled system, suggested for small cabinets on boats sailing in non tropical areas.



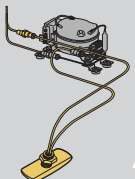
WATER COOLED

A water-cooled system is the most efficient option. Water dissipates heat better than air.



WATER COOLED WITH KEEL COOLER

Designed to achieve maximum efficiency, the keel cooler is more reliable and quieter than a pump water cooled system as the only moving part required is the compressor. If you want the best, get it.



\* Cooling unit is not included in the cabinet.



VECO S.p.a.

via General Cantore, 6 - 20833 Giussano (MB) Italy

Phone: 0362 35321 - fax: 0362 252995

e-mail: info@veco.net - web: www.veco.net

