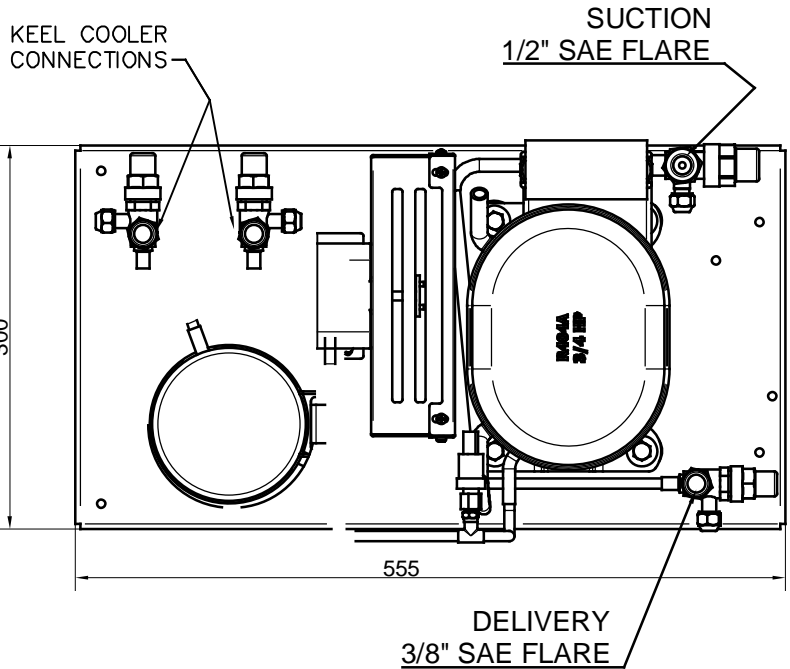
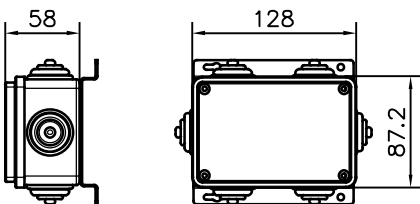


PRELIMINARY DRAWING



ELECTRICAL BOX DIMENSIONS



PENGUIN REFRIGERATION LIMITED sales@penguinfrigo.co.uk www.penguinfrigo.co.uk		Part No: CCP0050KBUS	Page: 03 Tav. 1 / 1			
		CONDENSING UNIT 0.50HP Keel Cooled		02		
		R404A 230/1/50 flare conn.		01		
Sch Contr:	Spessore:	General Tolerance:	Made by:	Vised:	Date:	
03		ISO 2768-				
					Rev.	Signature