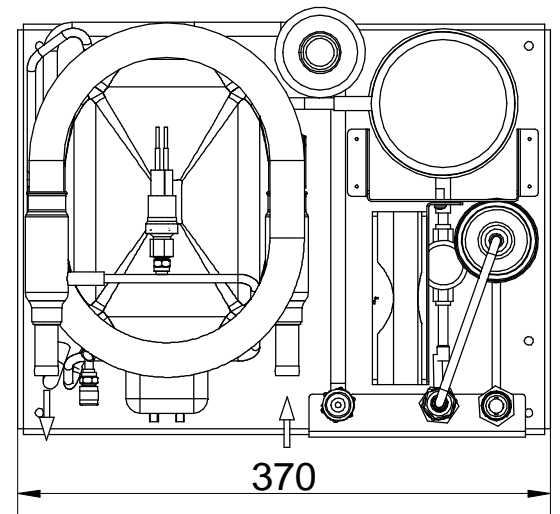
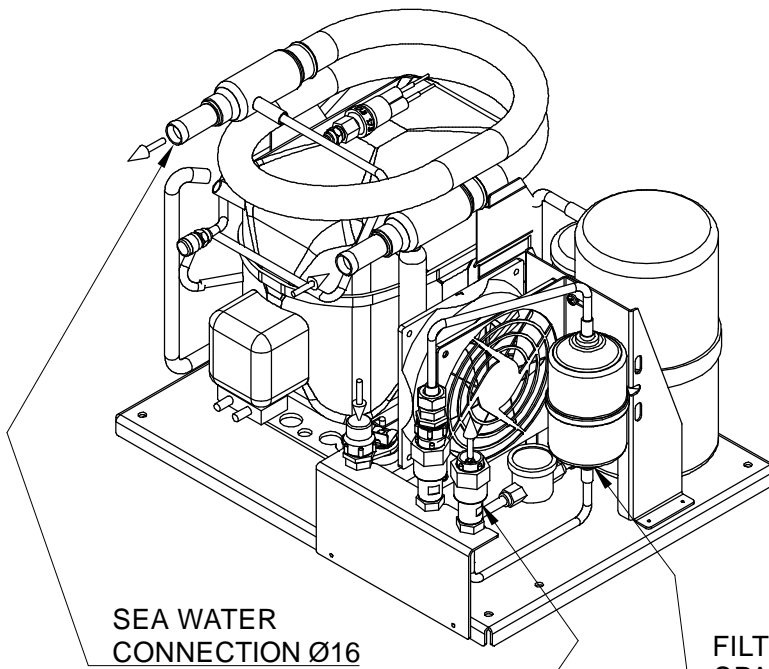
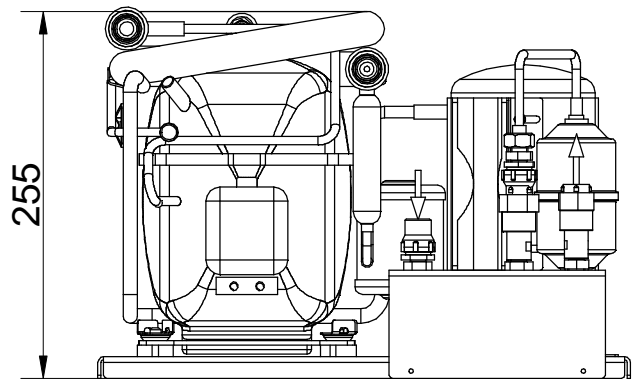
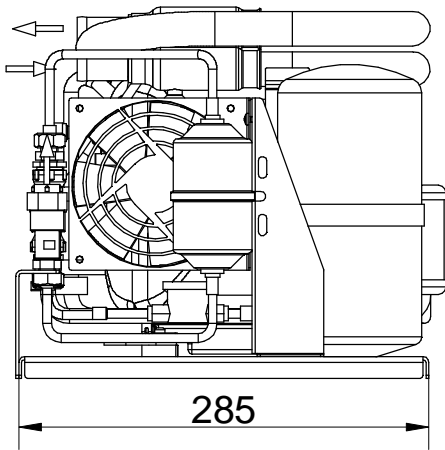
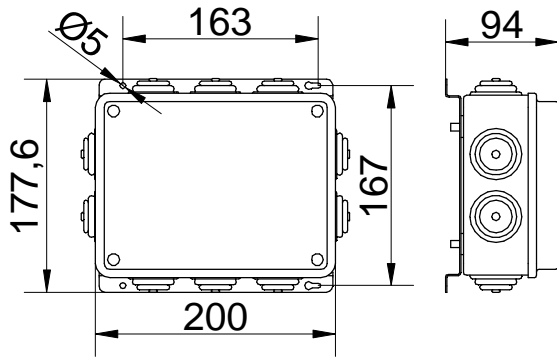


ELECTRICAL BOX D10275



SEA WATER
CONNECTION Ø16

REFRIGERANT R134a
SELF SEALING COUPLINGS

FILTER DRYER WITH SELF SEALING COUPLINGS
SPARE PART: D11210

| | | | | | | |
|---|-----------|--|---------------------|--------|-------|-------------------------------|
| PENGUIN REFRIGERATION LIMITED sales@penguinfrigo.co.uk www.penguinfrigo.co.uk | | Part No: 1CCP0075WAUS | Page: Tav. 1 / 1 | 03 | | |
| | | CONDENSING UNIT 0.75HP Water Cooled R134A 230/1/50 Self-sealing couplings | | 02 | | |
| | | | | 01 | | |
| Sch Contr: 03 | Spessore: | General Tolerance: ISO 2768 _T | Made by: | Vised: | Date: | Rev. Data Signature |