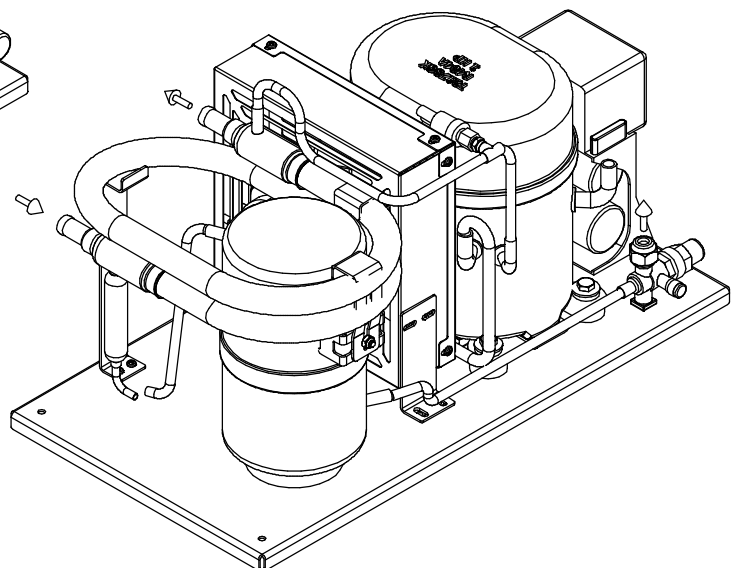
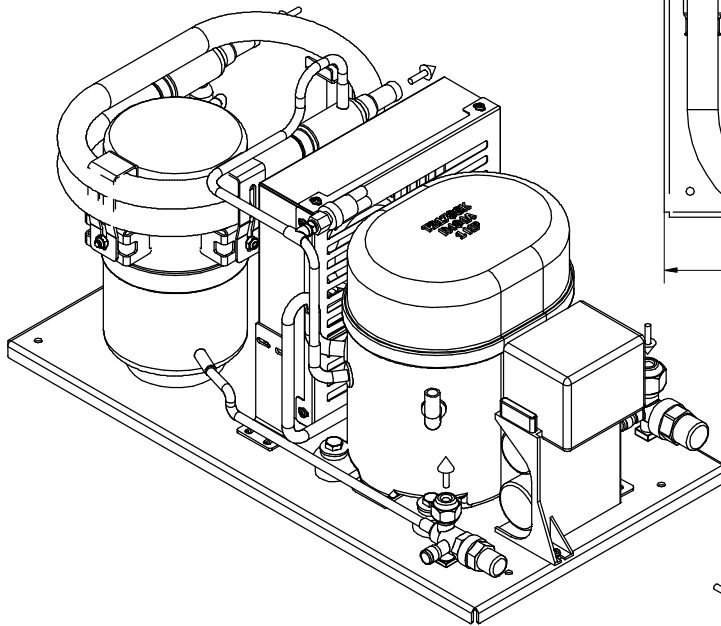
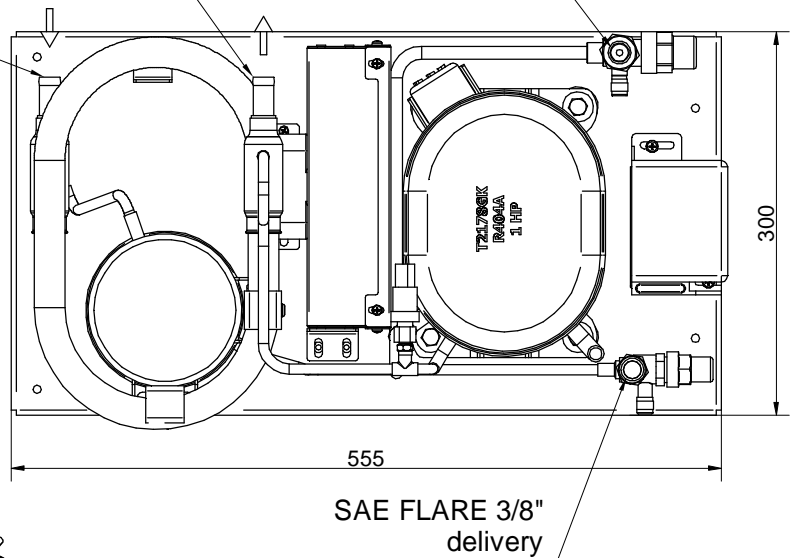


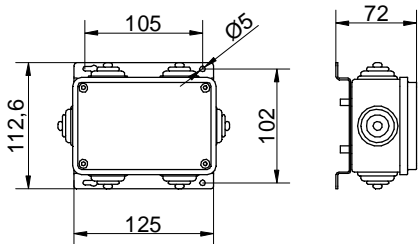
sea water OUT
Ø16

SAE FLARE 1/2"
suction

Sea water IN
Ø16



Condensing Unit Electrical Box D10270



PENGUIN REFRIGERATION LIMITED	Part No: 1CCP0100WBUS	Page: Tav. 1 / 1	03				
sales@penguinfrigo.co.uk www.penguinfrigo.co.uk	CONDENSING UNIT 1 HP Water Cooled R404A 230/1/50 flare conn.		02				
Sch Contr: 03	Spessore: General Tolerance: ISO 2768 _C	Made by:	Vised:	Date:	Rev.	Data	Signature