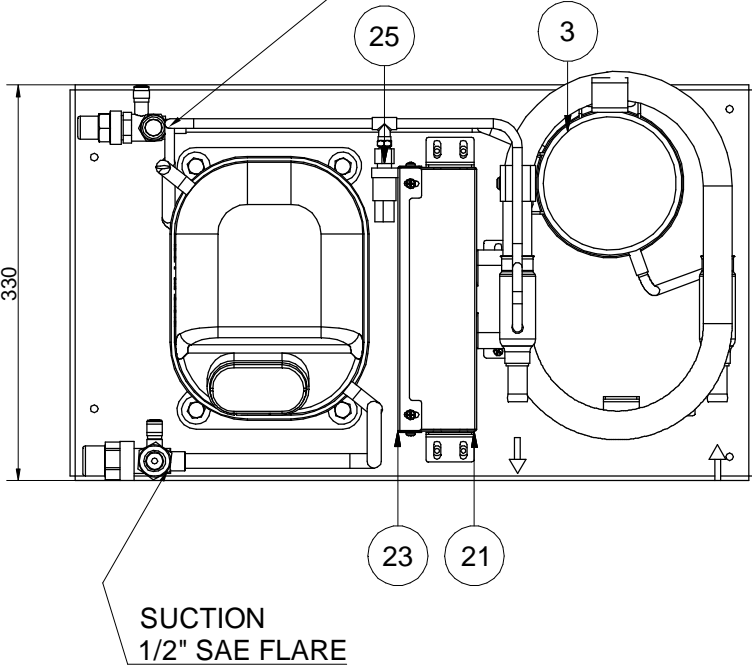
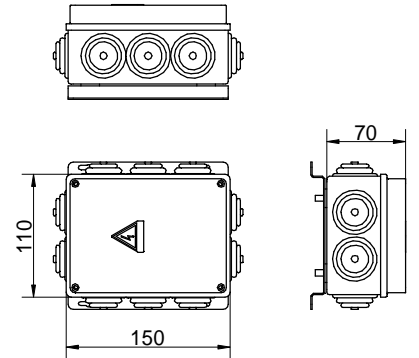


DELIVERY
3/8" SAE FLARE



DIMENSIONI
SCATOLA DI DERIVAZIONE
D10980



PENGUIN
REFRIGERATION
LIMITED

Part No: **1CCP0150WBYS**

Page:
Tav. 1 / 1

03

sales@penguinfrigo.co.uk
www.penguinfrigo.co.uk

CONDENSING UNIT 1.5 HP Water Cooled
R404A 400/3/50 flare conn.

02

01

Sch Contr:

Spessore:

General Tolerance:
ISO 2768-c

Made by:

Vised:

Date:

Rev.

Data

Signature