



PLATE BENDING AREA

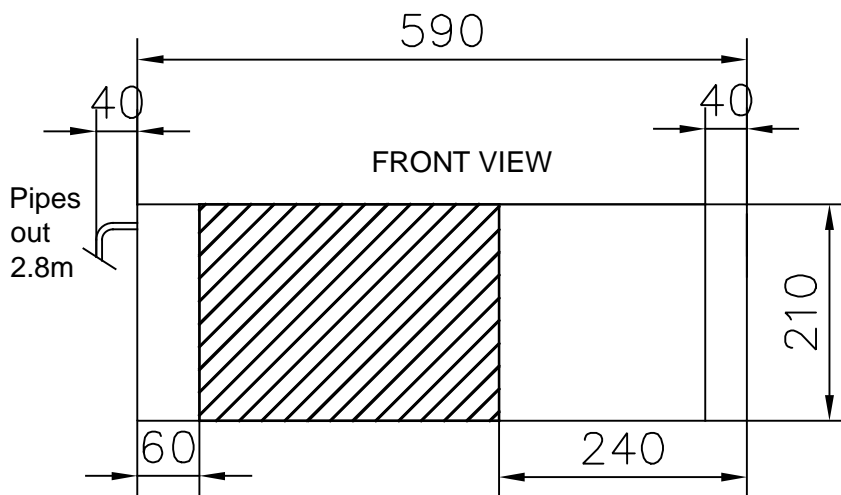


PLATE THICKNESS 1mm, SPACER 17mm

PENGUIN REFRIGERATION LIMITED	Part No: 1E50085	Page: Tav. 1 / 1	03		
sales@penguinfrigo.co.uk www.penguinfrigo.co.uk	EVAPORATOR F-SERIES 130F Flat (Copper)		02		
Sch Contr: 03 Spessore: General Tolerance: ISO 2768 _{TC} Made by: Vised: Date:			Rev.	Data	Signature
01					