



PLATE BENDING AREA

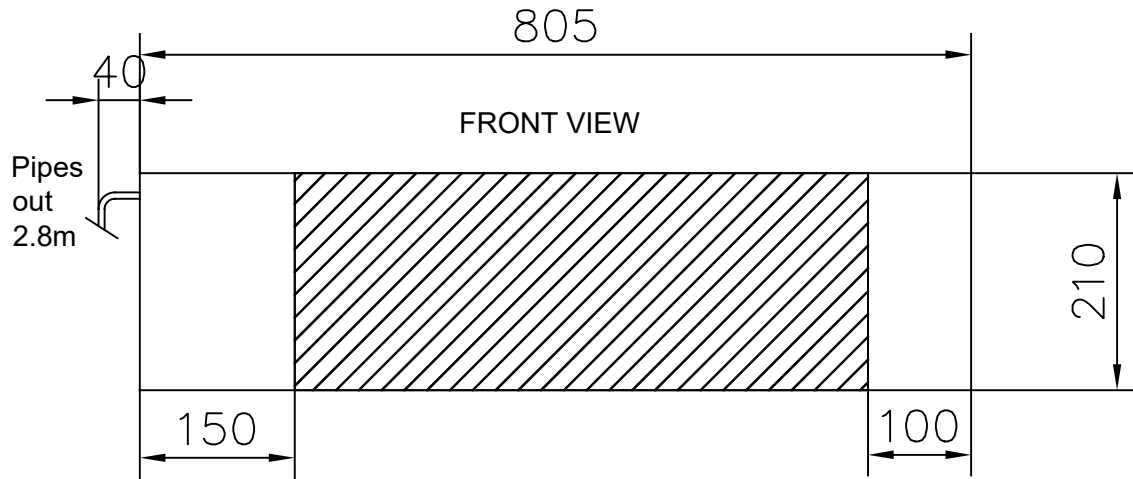


PLATE THICKNESS 1mm, SPACER 17mm

PENGUIN REFRIGERATION LIMITED		Part No: 1E50095		Page: Tav. 1 / 1		03			
sales@penguinfrigo.co.uk www.penguinfrigo.co.uk		EVAPORATOR F-SERIES 160F Flat (Copper)				02			
						01			
Sch Contr: 03	Spessore:	General Tolerance: ISO 2768 _T	Made by:	Vised:	Date:	Rev.	Data	Signature	