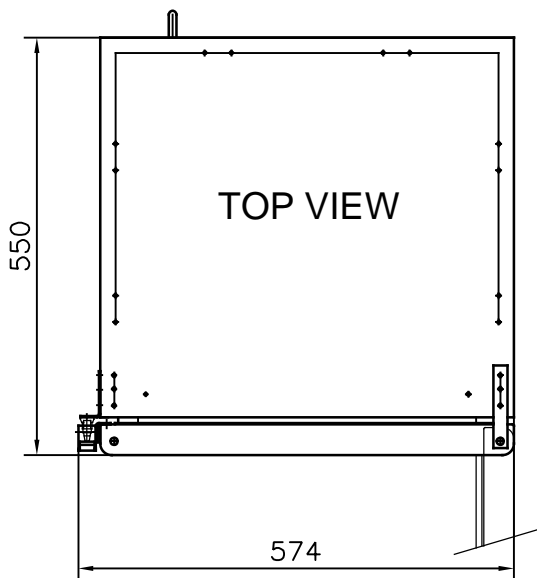
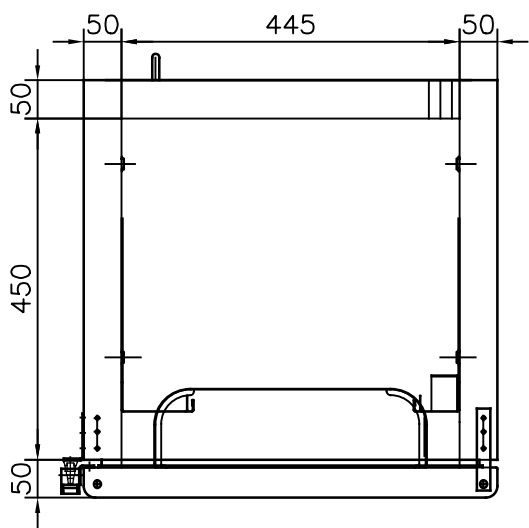
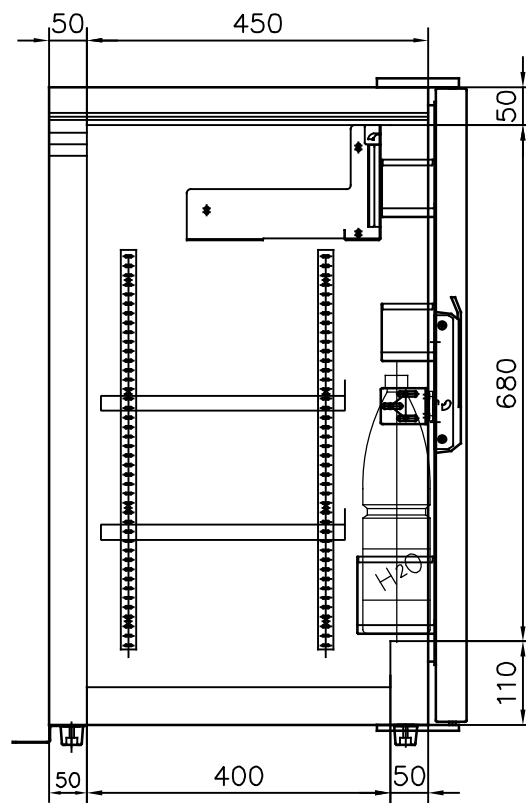
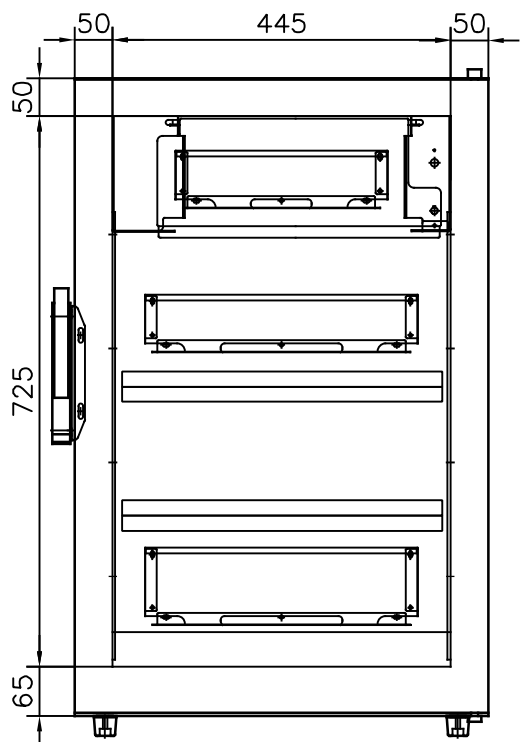


DRAIN



PENGUIN REFRIGERATION LIMITED		Part No: 1G50846	Page: Tav. 1 / 1	03		
sales@penguinfrigo.co.uk www.penguinfrigo.co.uk		STANDARD FRIDGE MS 160 12 / 24v		02		
				01		
Sch Contr: 03	Spessore:	General Tolerance: ISO 2768 _C	Made by:	Vised:	Date:	Rev. Data Signature



PENGUIN REFRIGERATION LIMITED	Part No: 1G50846	Page: Tav. 1 / 1	03		
sales@penguinfrigo.co.uk www.penguinfrigo.co.uk	STANDARD FRIDGE MS 160 12 / 24v		02		
Sch Contr: 03 Spessore: General Tolerance: ISO 2768 _C Made by: Vised: Date:			Rev.	Data	Signature
			01		