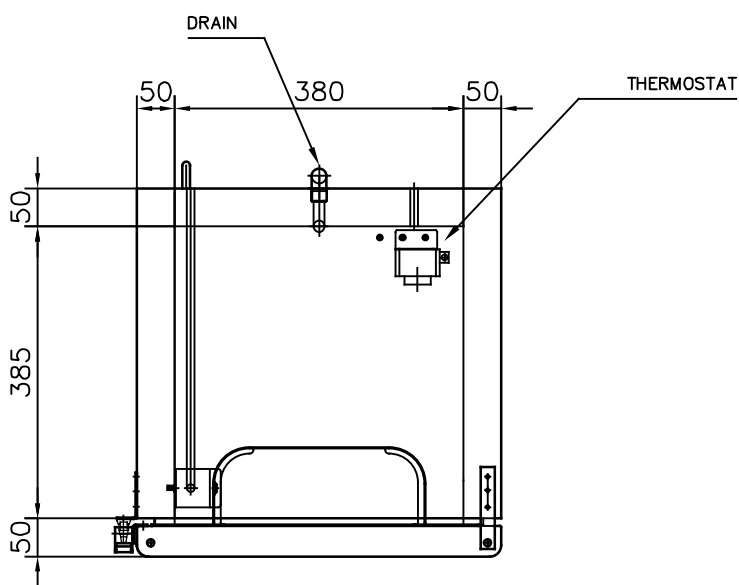
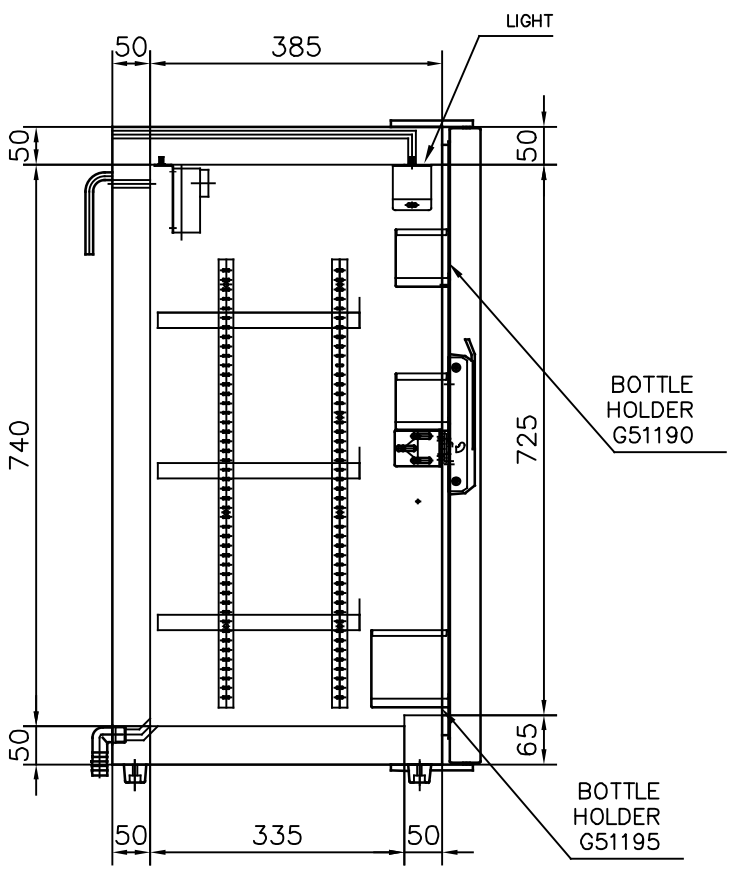
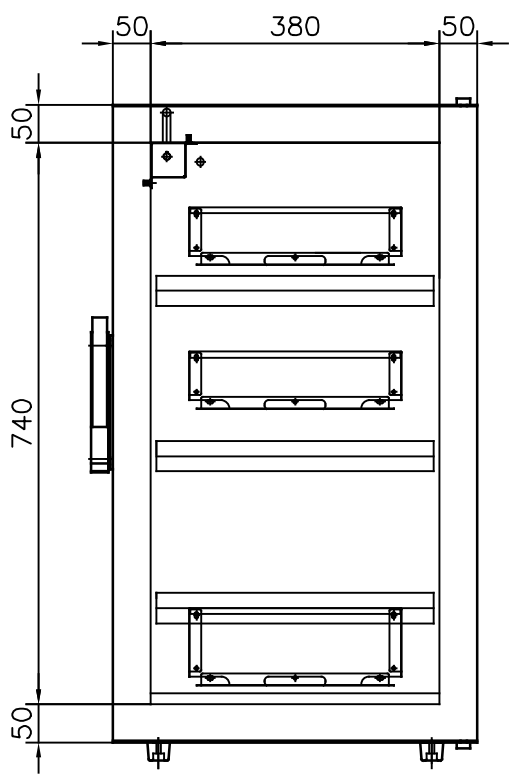


PENGUIN REFRIGERATION LIMITED		Part No: 1G51366		Page: Tav. 1 / 1		03			
sales@penguinfrigo.co.uk www.penguinfrigo.co.uk		STANDARD FRIDGE MS 115 IN				02			
						01			
Sch Contr: 03	Spessore:	General Tolerance: ISO 2768 _C	Made by:	Vised:	Date:	Rev.	Data	Signature	



PENGUIN REFRIGERATION LIMITED	Part No: 1G51366	Page: Tav. 1 / 1	03		
sales@penguinfrigo.co.uk www.penguinfrigo.co.uk	STANDARD FRIDGE MS 115 IN		02		
Sch Contr: Spessore: General Tolerance: Made by: Vised: Date:			Rev.	Data	Signature
03	ISO 2768 _T				