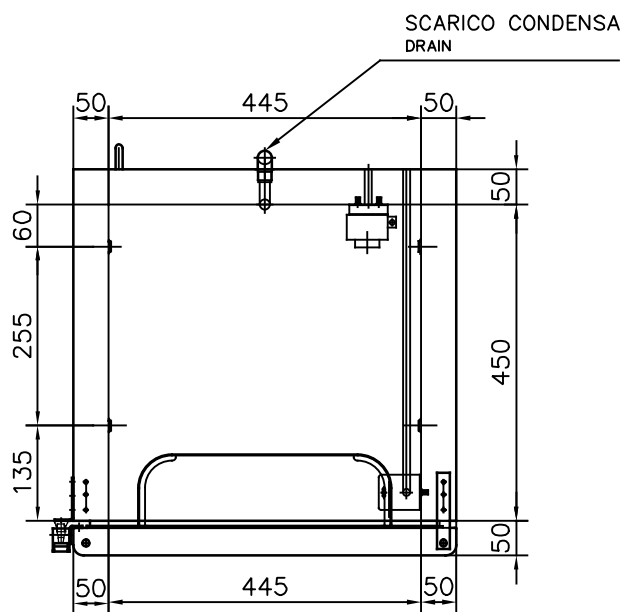
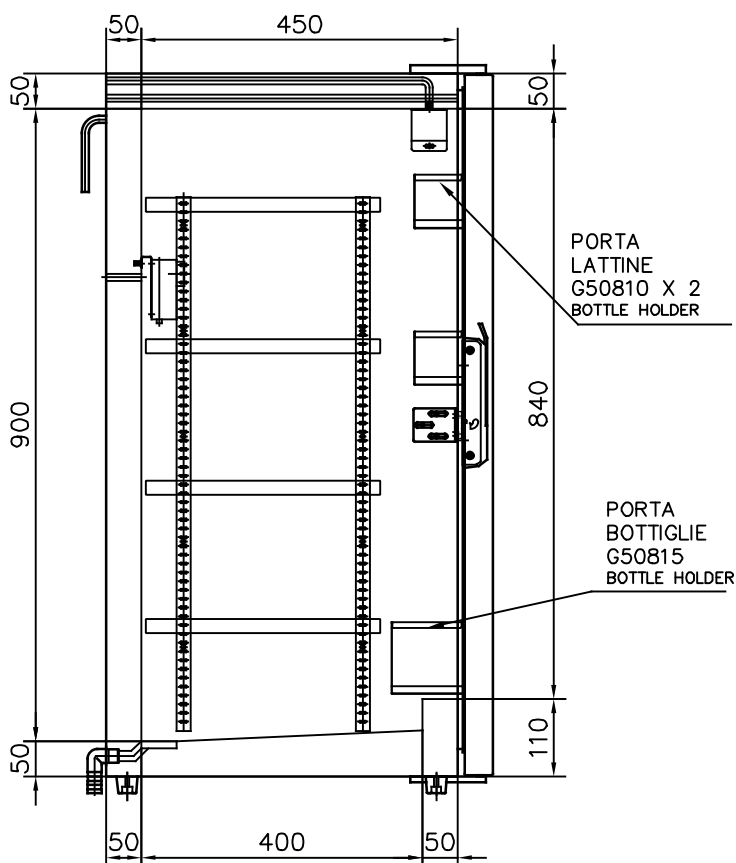
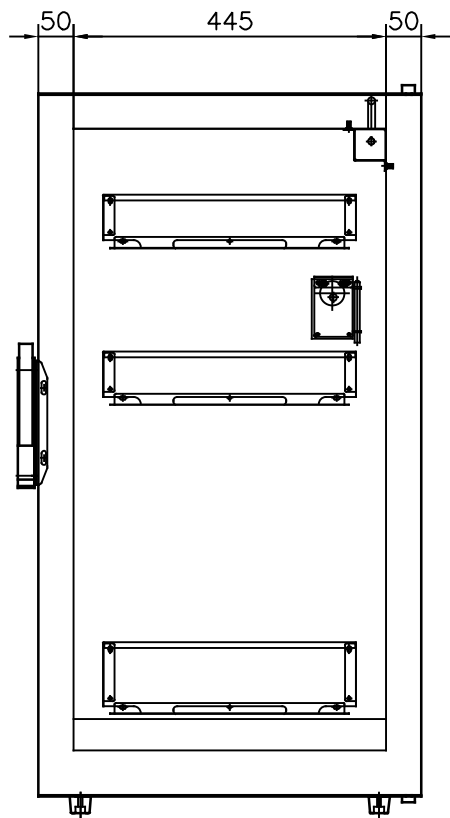


PENGUIN REFRIGERATION LIMITED		Part No: <b>1G51611</b>	Page: Tav. 1 / 1	03		
sales@penguinfrigo.co.uk www.penguinfrigo.co.uk		STANDARD FRIDGE MS 180 IN 12 / 24v		02		
				01		
Sch Contr: 03	Spessore:	General Tolerance: ISO 2768 <sub>C</sub>	Made by:	Vised:	Date:	Rev. Data Signature



PENGUIN REFRIGERATION LIMITED	Part No: <b>1G51611</b>	Page: Tav. 1 / 1	03		
sales@penguinfrigo.co.uk www.penguinfrigo.co.uk	STANDARD FRIDGE MS 180 IN 12 / 24v		02		
Sch Contr: Spessore: General Tolerance: Made by: Vised: Date:			03 Rev.	Data	Signature