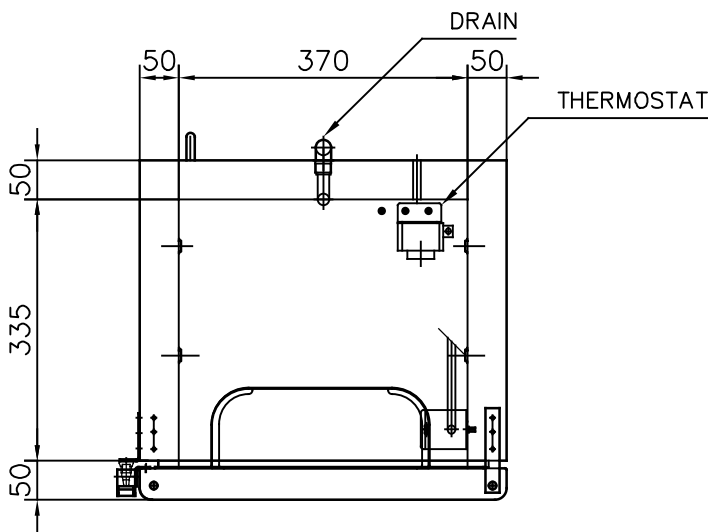
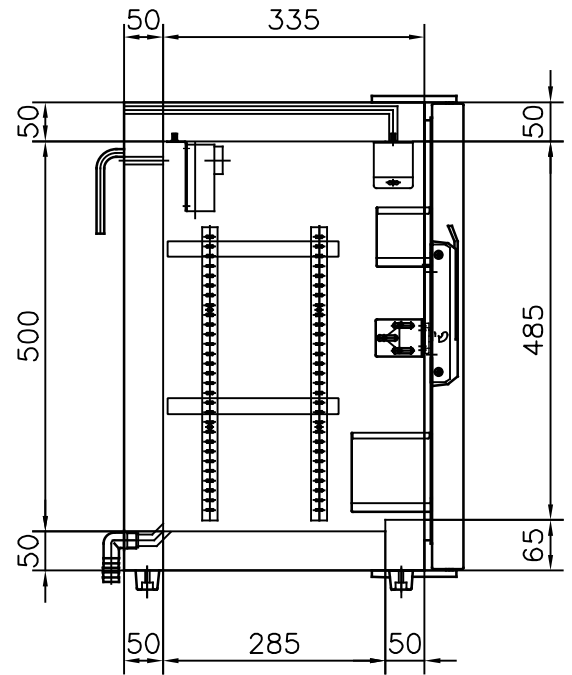
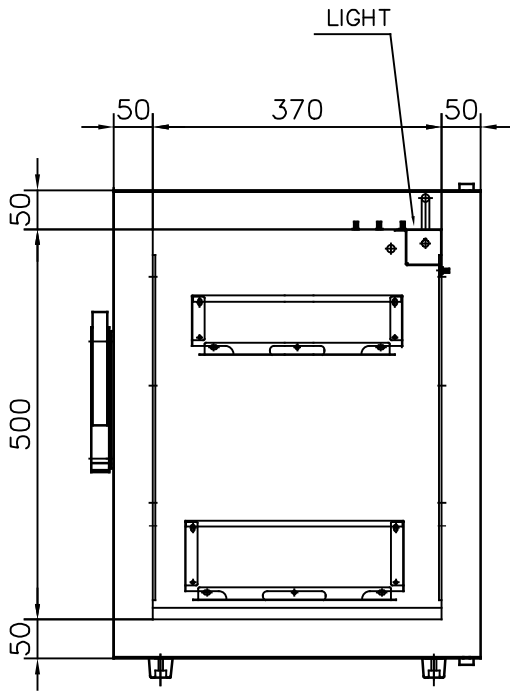


PENGUIN REFRIGERATION LIMITED		Part No: 1G52156		Page: Tav. 1 / 1		03			
sales@penguinfrigo.co.uk www.penguinfrigo.co.uk		STANDARD FRIGE MS 80 IN 12 / 24v				02			
						01			
Sch Contr: 03	Spessore:	General Tolerance: ISO 2768 _C	Made by:	Vised:	Date:	Rev.	Data	Signature	



PENGUIN REFRIGERATION LIMITED		Part No: 1G52156	Page: Tav. 1 / 1	03		
sales@penguinfrigo.co.uk www.penguinfrigo.co.uk		STANDARD FRIDGE MS 80 IN 12 / 24v		02		
				01		
Sch Contr: 03	Spessore:	General Tolerance: ISO 2768 _C	Made by:	Vised:	Date:	Rev. Data Signature