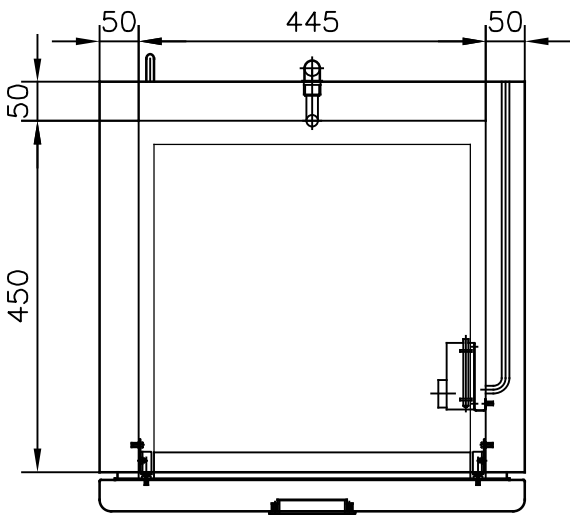
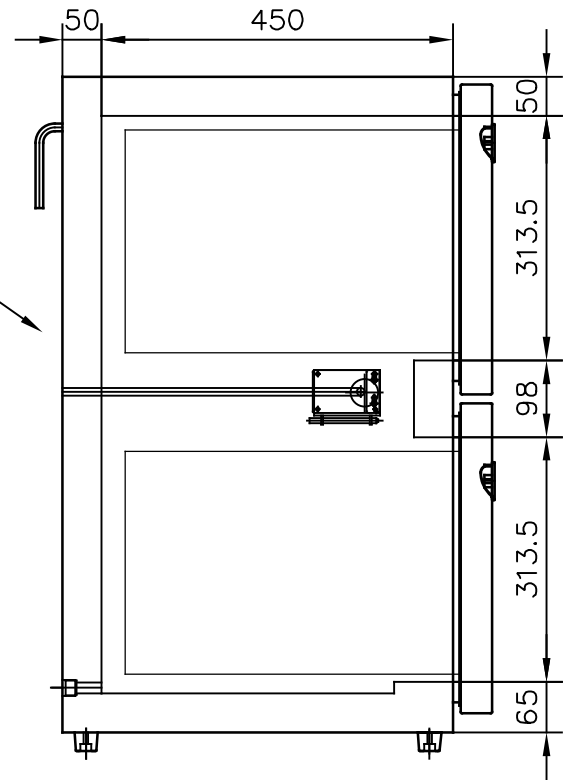
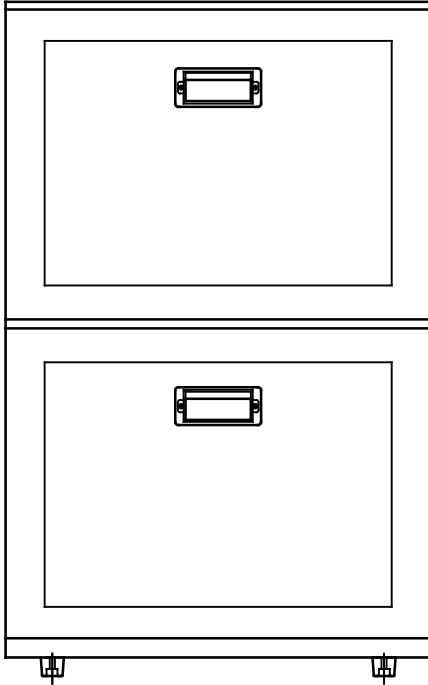


PENGUIN REFRIGERATION LIMITED		Part No: <b>1G60041</b>		Page: Tav. 1 / 1		03			
sales@penguinfrigo.co.uk www.penguinfrigo.co.uk		MS 160 2 DRAWER FRIDGE 12 / 24v				02			
						01			
Sch Contr: 03	Spessore:	General Tolerance: ISO 2768 <sub>C</sub>	Made by:	Vised:	Date:	Rev.	Data	Signature	

ELECTRICAL CABLES EXIT ON THE BACK SIDE  
(THERMOSTAT, DOOR HEATER)



PENGUIN REFRIGERATION LIMITED		Part No: <b>1G60041</b>	Page: Tav. 1 / 1	03		
sales@penguinfrigo.co.uk www.penguinfrigo.co.uk		MS 160 2 DRAWER FRIDGE 12 / 24v		02		
				01		
Sch Contr: 03	Spessore:	General Tolerance: ISO 2768 <sub>C</sub>	Made by:	Vised:	Date:	Rev. Data Signature