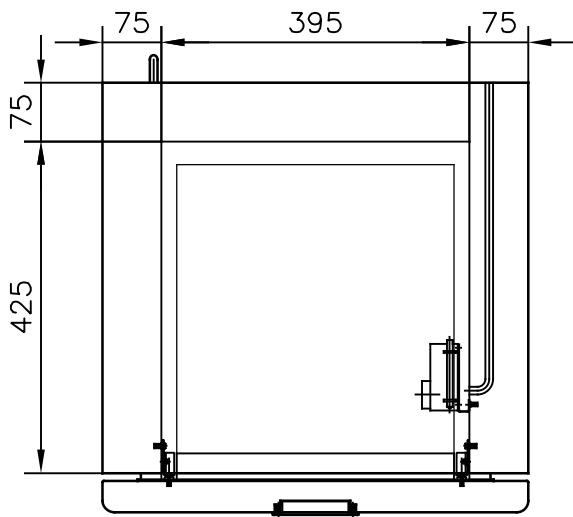
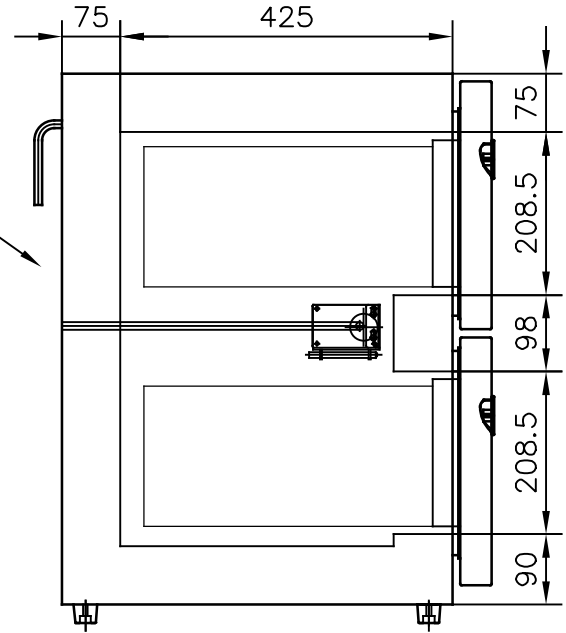
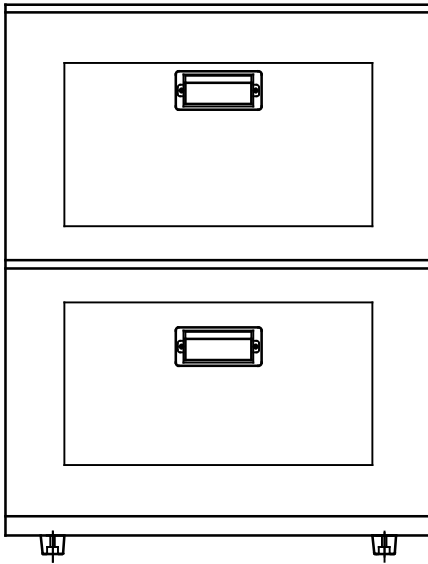


PENGUIN REFRIGERATION LIMITED		Part No: 1G60056		Page: Tav. 1 / 1		03			
sales@penguinfrigo.co.uk www.penguinfrigo.co.uk		MS 90 2 DRAWER FREEZER 12 / 24v				02			
						01			
Sch Contr: 03	Spessore:	General Tolerance: ISO 2768 _C	Made by:	Vised:	Date:	Rev.	Data	Signature	

ELECTRICAL CABLES EXIT ON THE BACK SIDE
(THERMOSTAT, DOOR HEATER)



PENGUIN REFRIGERATION LIMITED	Part No: 1G60056	Page: Tav. 1 / 1	03		
sales@penguinfrigo.co.uk www.penguinfrigo.co.uk	MS 80 2 DRAWER FREEZER 12 / 24v		02		
Sch Contr: 03 Spessore: General Tolerance: ISO 2768 _T Made by: Vised: Date:			Rev.	Data	Signature
			01		