

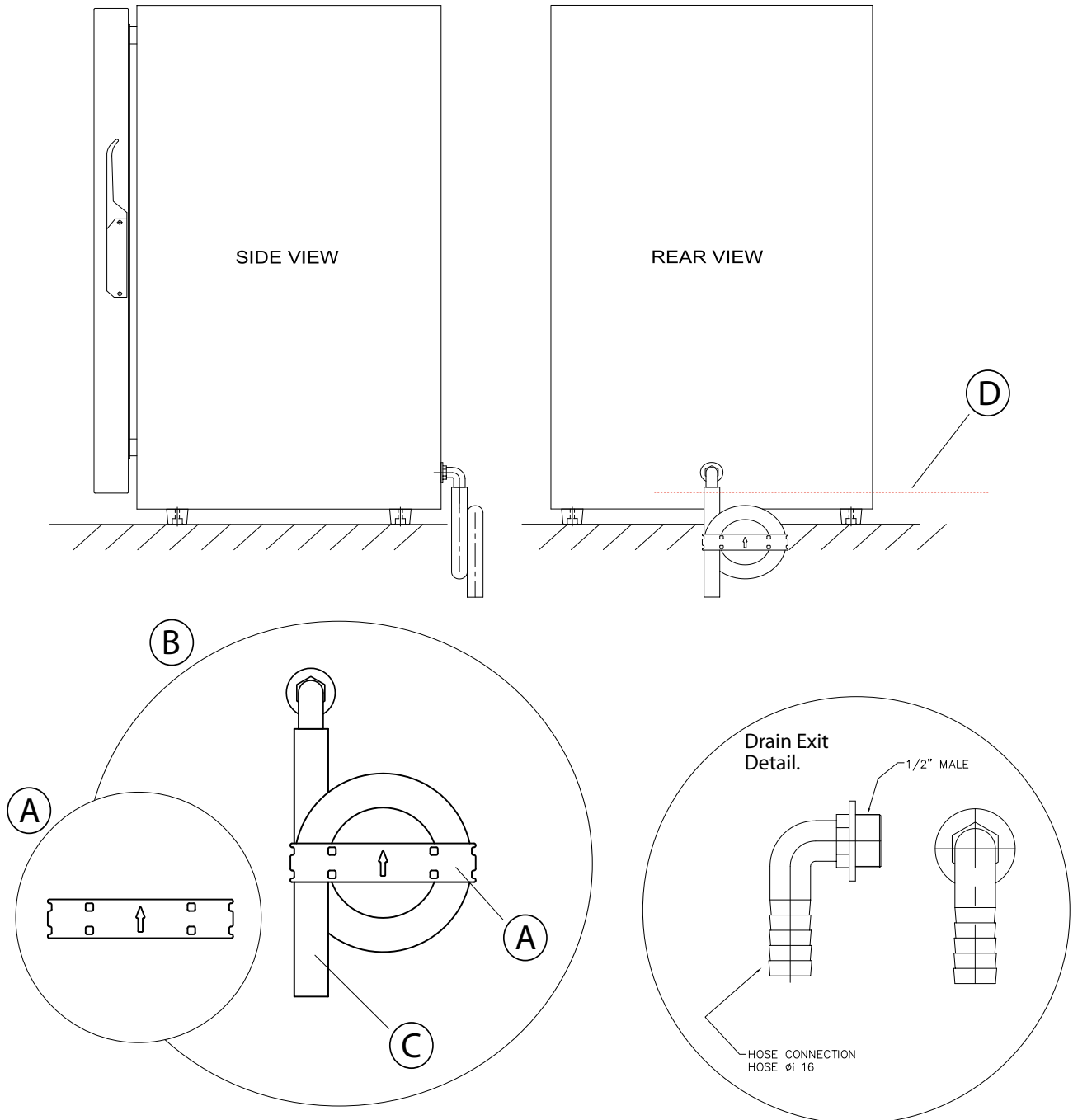
DRAIN INSTRUCTIONS

Each cabinet with an outlet drain has to be connected as per the below instruction.

Each drain already comes with a drain fixing kit (B) that allows to install it in the correct position. The fixing kit blocks the hose (C) on a bracket (A).

The hose is fixed to the bracket with cable ties. The bracket has to be fixed using a screw in a vertical position following the arrow.

The bracket has to be fixed lower than the drain exit (D).



SPARE PARTS

G68995 - Hose fitting 1/2" x16

WARNING

Ensure all drains are connected properly before pushing the cabinet into place.
Failure to follow this instructions can cause air entering the refrigeration cabinet.