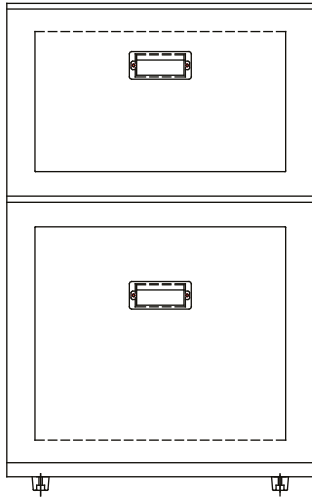


INSTALLATION INSTRUCTIONS 1-5 MUST BE FOLLOWED TO VALIDATE THE WARRANTY

INSTALLATION NOTES - MS160 DRAWER FRIDGE (G6004024) AIR COOLED



- 1** Minimum Space Requirement
- 2** Drainage
- 3** Electrical
- 4** Fitting
- 5** Compressor Installation
- 6** Operation (Crew use)

Tick

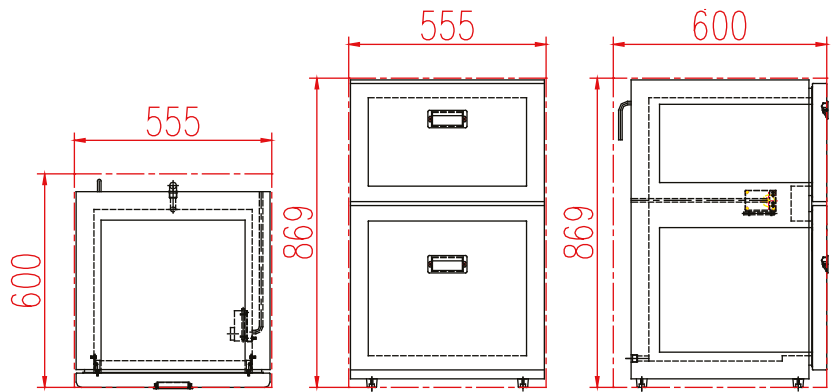
<input type="checkbox"/>
<input type="checkbox"/>
<input type="checkbox"/>
<input type="checkbox"/>
<input type="checkbox"/>
<input type="checkbox"/>

1 RECOMMENDED SPACE REQUIREMENTS

When installing the cabinet it is essential that + - 5mm is left to either side and top of the cabinet to allow for sufficient air circulation. 40mm must also be left at the back of the cabinet to allow for pipes.

CABINET DIMENSIONS

Width:	545mm
Height:	840mm
Depth: (excluding door)	500mm
Door:	50mm



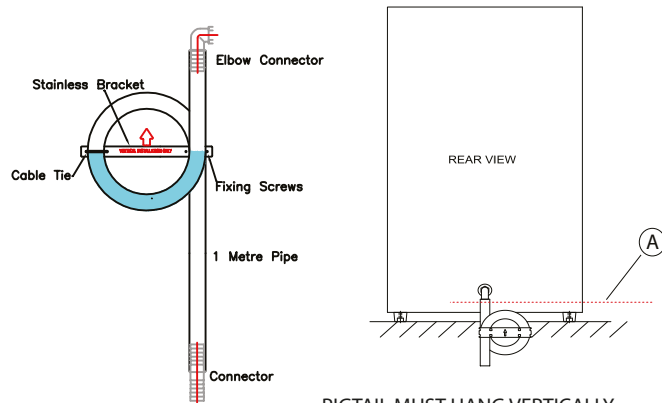
Recommended space required around cabinet (with remote mounted compressor) to allow for sufficient air circulation: 555(w) x 869(h) x 600(d)mm

2 DRAINAGE

All fridge drains **MUST** be fitted with U-bends and must be connected to the food hygiene grey water system.

All fridges will be supplied with a drain fixing kit which allows the drain to be installed correctly with a U-bend.

The drain fixing kit must be installed in a suitable position where the pigtail hangs vertically to allow a sufficiently sized water trap to be created (see drawing). It must be located below the drain exit (A).

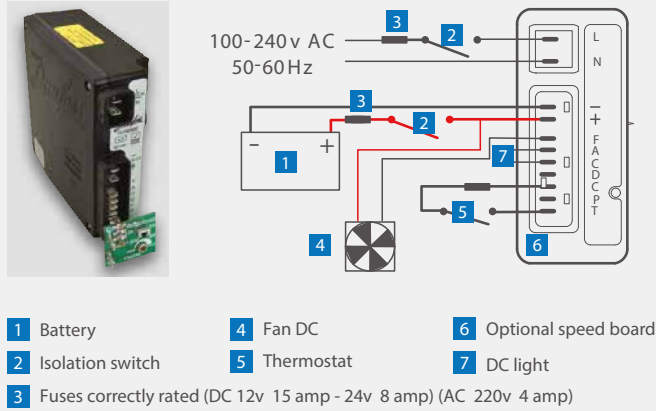


PIGTAIL MUST HANG VERTICALLY

3 ELECTRICAL

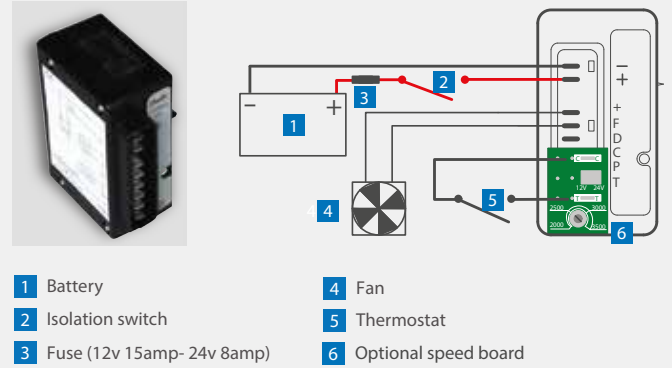
MULTIVOLTAGE CONTROLLER

Supply Voltage 12/24v and or 110/220v 50~60hz



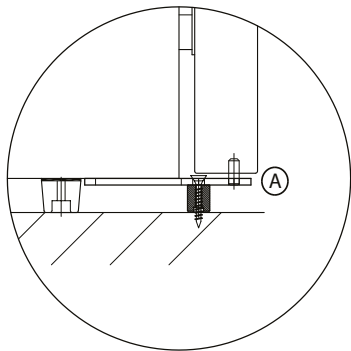
BASIC CONTROLLER

Supply Voltage 12/24v

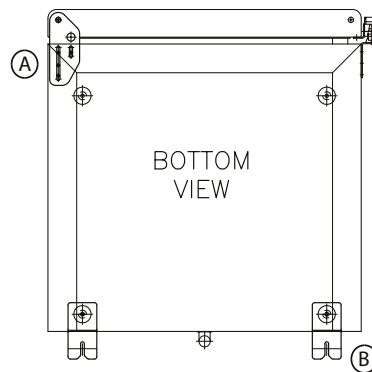


4 FITTING

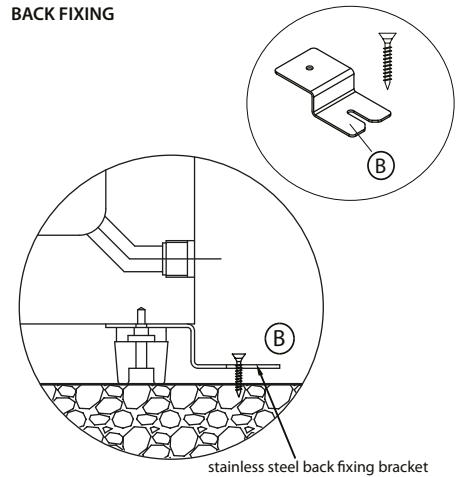
FRONT FIXING



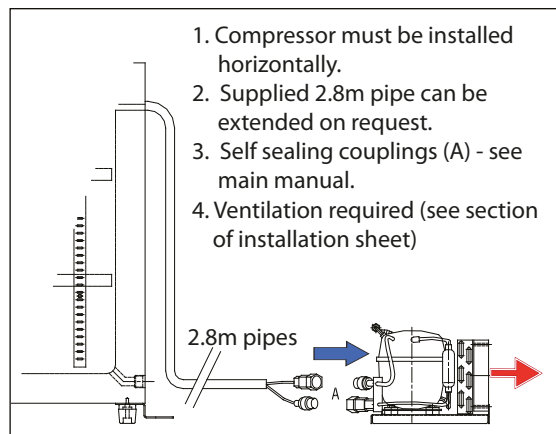
FIXING BRACKETS



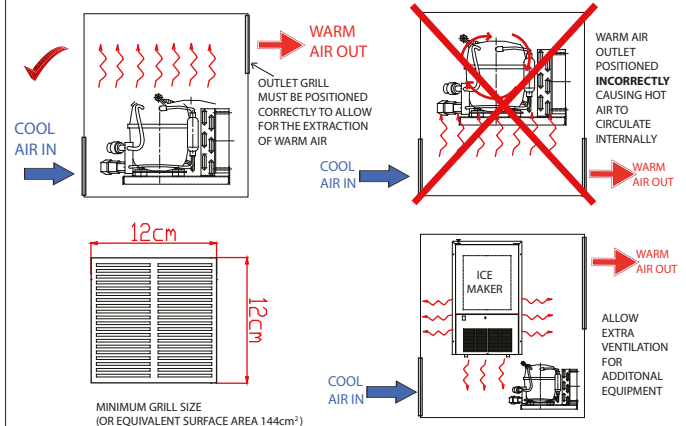
BACK FIXING



5 COMPRESSOR INSTALLATION AND VENTILATION



VENTILATION FOR COMPRESSORS MOUNTED IN CONFINED SPACES

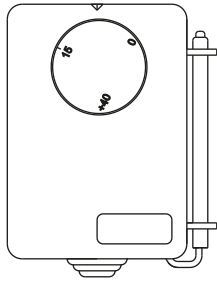


6 OPERATION (CREW USE)

1. TEMPERATURE

RECOMMENDED FRIDGE TEMP + 5

Follow instructions below to change the temperature on thermostat



MECHANICAL THERMOSTAT

Mechanical Thermostat 0°C to 40°C

1. Temperature is shown on the dial in degrees centigrade.
2. Use the indicator mark at the top of the thermostat to align the dial.
3. Recommended setting +5°C for a fridge.

2. DRAINS

Fridge drains are connected to grey water system and will not drain with grey water system turned off. A water trap (U-bend) is required in the drain pipe to stop air entering the fridge and causing ice build up on the wall evaporator this reducing performance.

3. DOOR SEALS

Door seals MUST be air tight and in good condition. A bad seal will allow air to enter cabinet causing ice build up on the wall evaporator thus reducing performance. Replacement seals are available from Penguin Refrigeration Ltd.

4. DOOR HEATERS

Each door has a heated seal which can be confirmed as working by touching the grey plastic door surround.

5. FANS & LIGHTS

Fans and lights turn ON/OFF with the door. The fan should stop when the door is opened and the light should come on.

6. STORAGE OF FOOD

Freezers are for storing frozen food. As with fridges DO NOT OVER PACK, leave free space in front of fan.

7. CLEAN & DEFROST

Freezers require defrosting only if ice build up is excessive.

8. SPARES & REPAIRS

All spare parts are available from Penguin Refrigeration. Please photograph the part and e-mail along with the boat name/ number to: sales@penguinfrigo.co.uk

9. SERVICE

Please call Penguin Refrigeration or Veco before appointing any engineers for general service or warranty work.