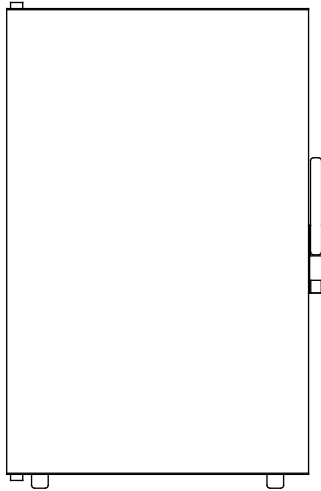


INSTALLATION INSTRUCTIONS 1-5 MUST BE FOLLOWED TO VALIDATE THE WARRANTY

INSTALLATION NOTES - STANDARD FREEZER (G51046, G51156, G51371, G51616)



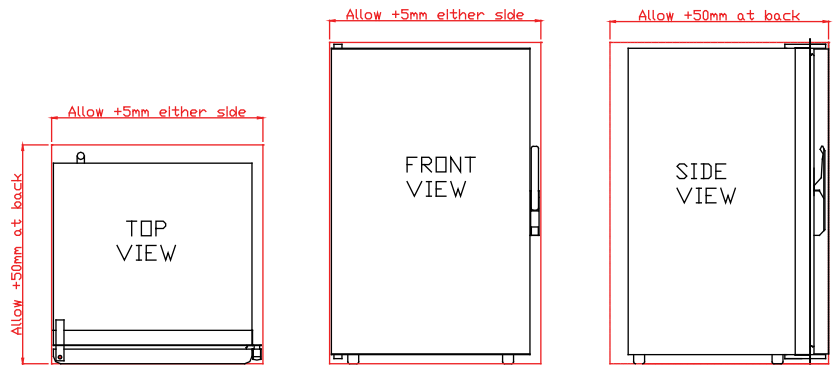
- | | | |
|----------|--------------------------------------|-------------------------------|
| 1 | Minimum Space Requirement | Tick <input type="checkbox"/> |
| 2 | Electrical | <input type="checkbox"/> |
| 3 | Compressor Installation/ Ventilation | <input type="checkbox"/> |
| 4 | Fitting | <input type="checkbox"/> |
| 5 | Thermostat | <input type="checkbox"/> |
| 6 | | <input type="checkbox"/> |

1 MINIMUM SPACE REQUIREMENTS

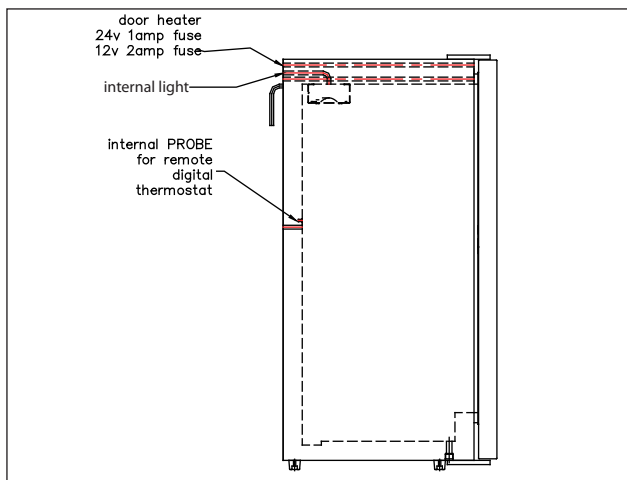
When installing the cabinet it is essential that + - 5mm is left on either side of the cabinet to allow for sufficient air circulation.

Allow + - 50mm at the back of cabinet for pipe exits.

Feet must be left on to ensure good air flow.

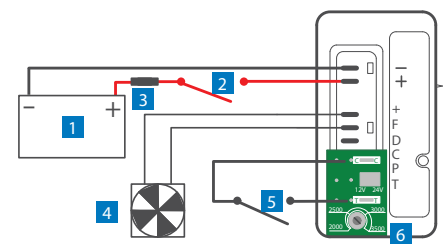


2 ELECTRICAL



BASIC CONTROLLER

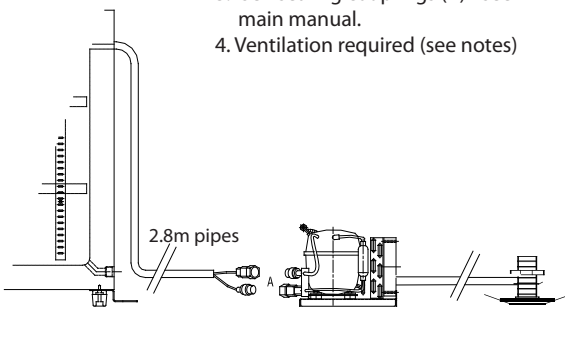
Supply Voltage 12/24v



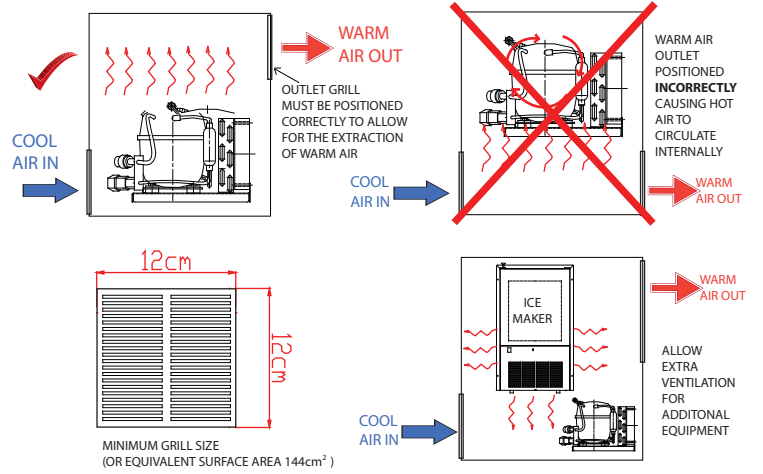
- | | |
|-------------------------------------|-------------------------------|
| 1 Battery | 4 Fan |
| 2 Isolation switch | 5 Thermostat |
| 3 Fuse (12v 15amp- 24v 8amp) | 6 Optional speed board |

3 COMPRESSOR INSTALLATION AND VENTILATION

1. Compressor must be installed horizontally.
2. Supplied 2.8m pipe can be extended on request.
3. Self sealing couplings (A) - see main manual.
4. Ventilation required (see notes)



VENTILATION FOR COMPRESSORS MOUNTED IN CONFINED SPACES



WARM AIR OUT

COOL AIR IN

OUTLET GRILL MUST BE POSITIONED CORRECTLY TO ALLOW FOR THE EXTRACTION OF WARM AIR

WARM AIR OUTLET POSITIONED INCORRECTLY CAUSING HOT AIR TO CIRCULATE INTERNALLY

12cm

12cm

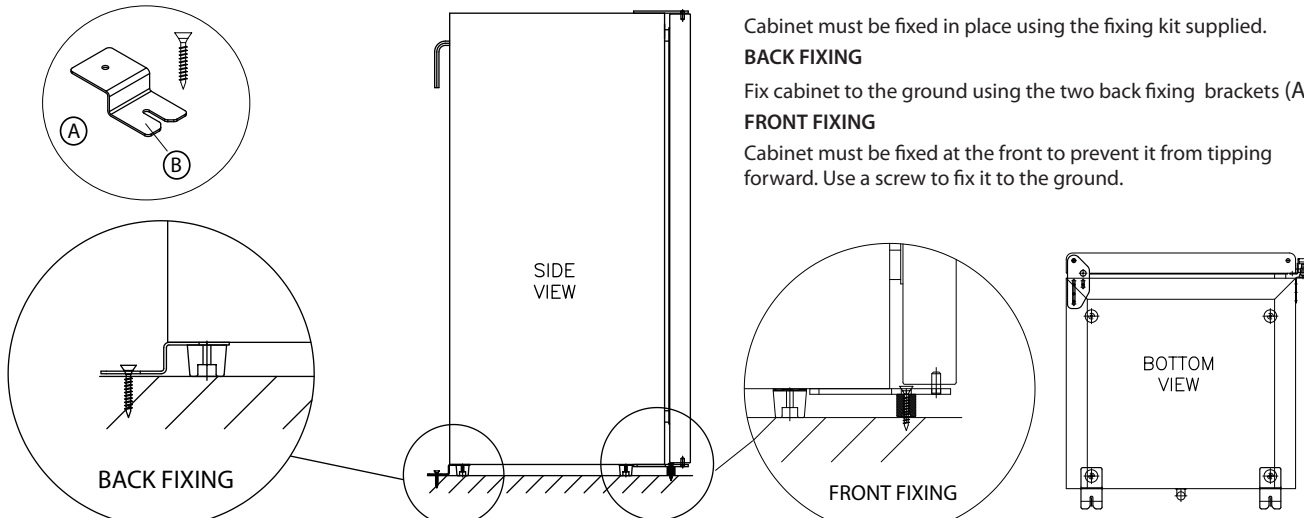
MINIMUM GRILL SIZE (OR EQUIVALENT SURFACE AREA 144cm²)

ICE MAKER

WARM AIR OUT

ALLOW EXTRA VENTILATION FOR ADDITIONAL EQUIPMENT

4 FITTING



Cabinet must be fixed in place using the fixing kit supplied.

BACK FIXING
Fix cabinet to the ground using the two back fixing brackets (A).

FRONT FIXING
Cabinet must be fixed at the front to prevent it from tipping forward. Use a screw to fix it to the ground.

SIDE VIEW

BACK FIXING

FRONT FIXING

BOTTOM VIEW

5 THERMOSTAT



TO CHANGE THE TEMPERATURE ON CAREL

- Press and hold down the 'SET' button
- The pre-set temperature will appear.
- Use the Up and Down arrow buttons to change temp as required.
- Recommended temperatures: - 18 Freezer and + 4 Fridge.
- To save temperature changes press the 'SET' button again