

Thermostat Range

Penguin thermostats will work with **other makes** of fridge or freezer if correctly specified.



E250500 Mechanical fridge thermostat – for fridge use only

Normal fridge temperature 4 deg C



E250700 Mechanical freezer thermostat – for freezer use only

Normal freezer temperature is -26 deg C at the plate and -18 deg C inside the cabinet.

PLATE SENSING THERMOSTATS are connected to the evaporator

- A gas filled capillary probe (silver wire) which must not be cut to length.
- A temperature dial, to set the temperature required 0 warm 7 cold
- Two electrical wires for connecting to the control box (contact C & T).

Underside of thermostat



Two connectors attach to compressor controller normally contacts C & T

Capillary end to be attached to the evaporator plate. **Must not be cut.**

The Capillary must be tightly secured to the evaporator under the black holder provided.



Typical flat evaporator plate showing clamp position.

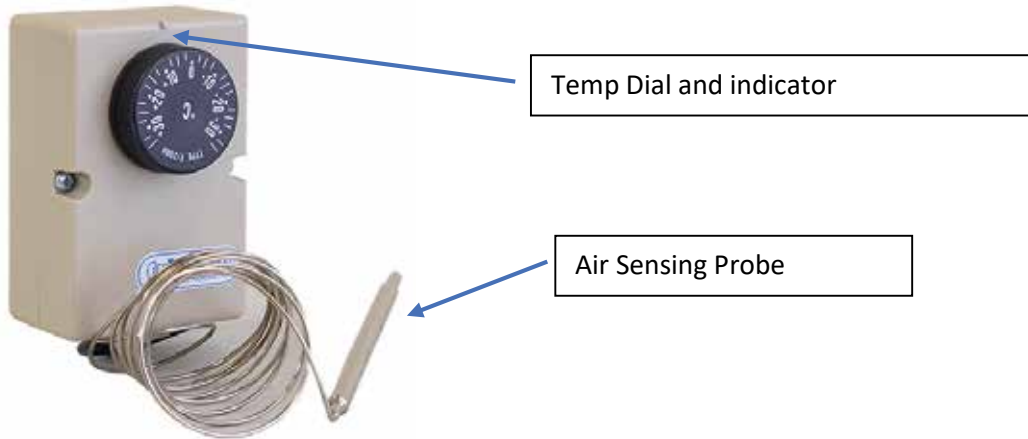


Thermostat probe clamp

Evaporator plate

AIR SENSING THERMOSTATS measures the temperature in the cabinet

- A gas filled capillary probe with air sensing bulb (silver wire) which must not be cut to length.
- A temperature dial, with numbers on ref degrees Celsius
- Two electrical wires for connecting to the control box (P1 and 2) (contact C & T).



A020300 Mechanical fridge or freezer thermostat +30 to -30 with 1.5 meter air-sensing probe

The probe in this thermostat is fitted approximately half way inside the fridge or freezer cabinet. The probe with capillary, will measure the air temperature within the cabinet rather than the temperature of the evaporator plate.

A020305 Mechanical fridge or freezer thermostat +30 to -30 with fixed air-sensing probe

A020310 Mechanical fridge thermostat +40 to 0 with fixed air-sensing probe



Digital Thermostat can be used on a fridge or freezer

Programmed to desired temperature with air sensing probe to be installed half up or down cabinet.
Thermostat installed externally.

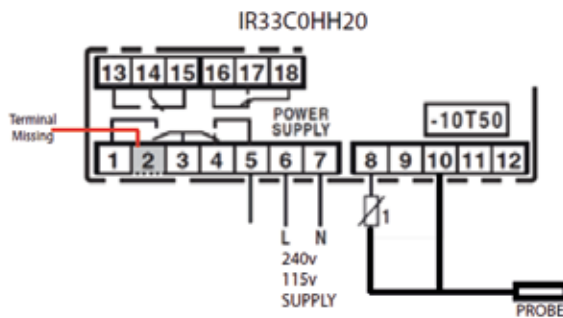
G60875 240v

G60890 12/24v

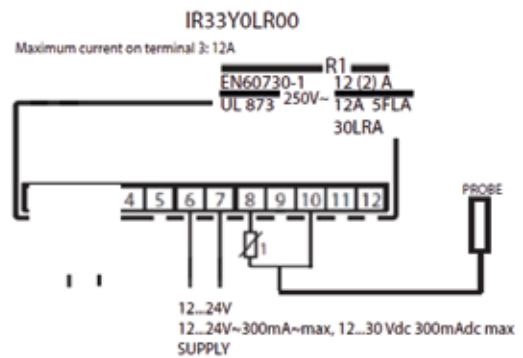
See product for more detailed information.



WIRING DIAGRAMS 230v and 12/24v



G60875 (230v)



G60890 (12/24v)