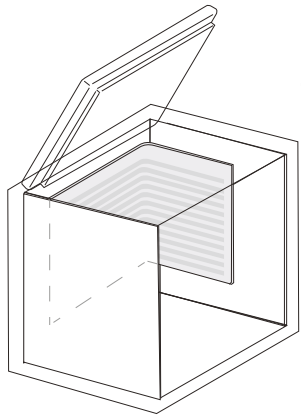
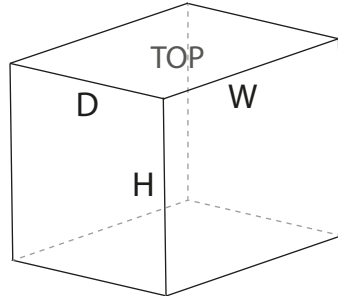


EVAPORATOR PLATE BENDING DIMENSIONS FORM

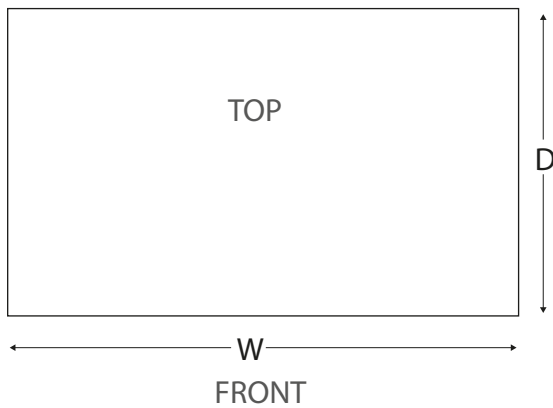


STANDARD BOX CABINET



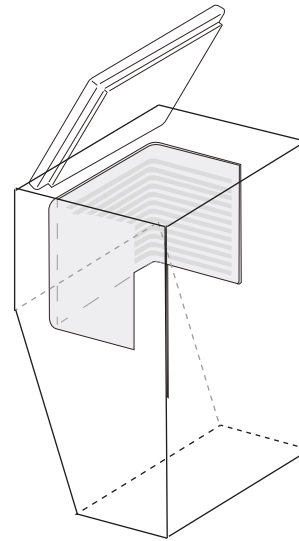
PLAN VIEW

BACK

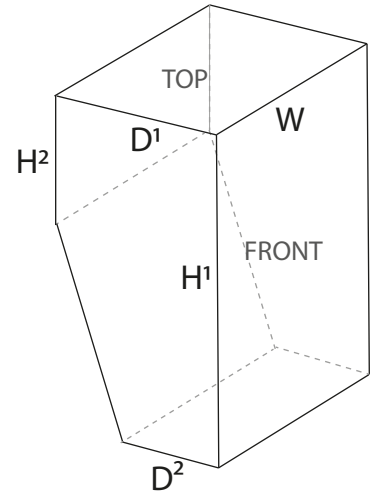


INTERNAL DIMENSIONS:

H = W = D =

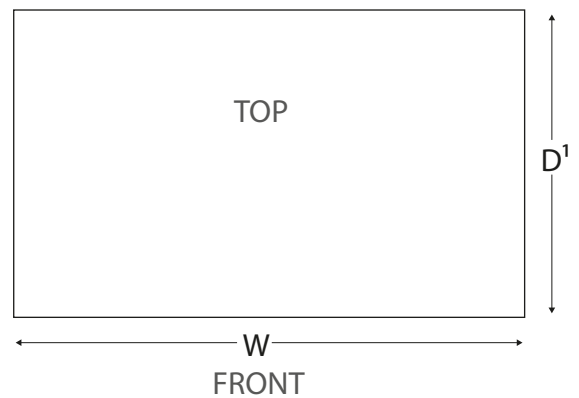


ANGLED CABINET



PLAN VIEW

BACK



INTERNAL DIMENSIONS:

H¹ = D¹ = W =
 H² = D² =

PLEASE MARK ON PLAN VIEW:

1. POSITION OF PIPE EXITS (MARK WITH 'X')
2. PREFERRED POSITION OF EVAPORATOR PLATE

APERTURE DIMENSIONS:

A = B =

