

ICEMAKERS

▶ ICEMAKERS

ICEMAKERS

THE NEW SERIES



**DOOR INSIDE
DOOR OUTSIDE**
SINGLE FITTING FRAME



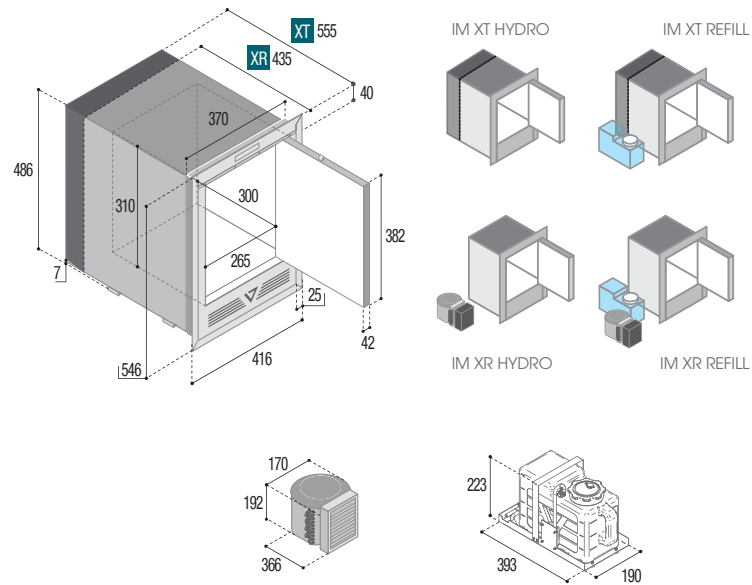
VENT POSITION
FOR AIR CIRCULATION
DURING PERIODS
OF NON-USE



UP TO 8 KG./24H
ICE PRODUCTION

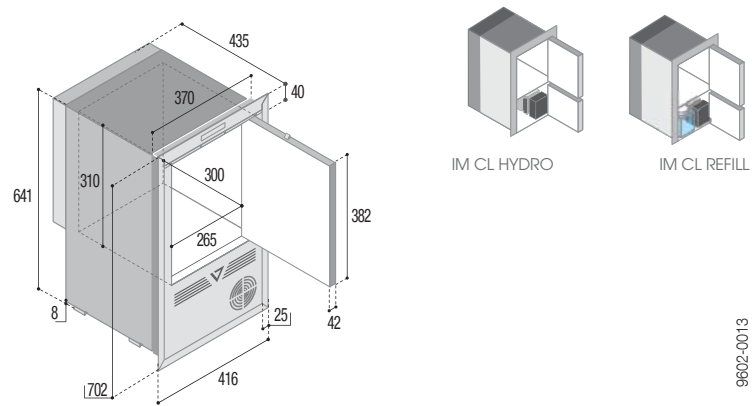
IM XT HYDRO/REFILL
IM XR HYDRO/REFILL

AVAILABLE VERSIONS



IM CL HYDRO
IM CL REFILL

AVAILABLE VERSIONS



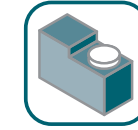
MODEL	TOTAL VOLUME (lt.)	NET WEIGHT (kg.)	ICE PRODUCTION (kg./24h)	POWER SUPPLY	NOMINAL CONSUMPT. (W)
IM XT HYDRO	24	25	Up to 8	230 Vac	180
IM XR HYDRO	24	27	Up to 8	230 Vac	180
IM XT REFILL	24	25	Up to 8	230 Vac	180
IM XR REFILL	24	27	Up to 8	230 Vac	180
IM CL HYDRO	24	23	Up to 8	230 Vac	180
IM CL REFILL	24	23	Up to 8	230 Vac	180

9602-0013

THE NEW SERIES



**WATERPROOF
LED THERMOSTAT**



WATER TANK
REMOVABLE AND
EASILY WASHABLE



**UV-C LED
DISINFECTION
SYSTEM (OPTIONAL)**
PURIFIES WATER
FROM BACTERIA



VITRIFRIGO
COOL AND BEYOND

VITRIFRIGO S.r.l. Via Mazzini, 75 - Fraz. Montecchio - 61022 Vallefoglia (PU) - Italy
Tel. +39 0721 154.500 - www.vitrifrigo.com - info@vitrifrigo.com

VITRIFRIGO
COOL AND BEYOND



IM XT HYDRO - DOOR INSIDE VERSION



IM CL HYDRO - DOOR INSIDE VERSION



IM XR REFILL - DOOR OUTSIDE VERSION



IM CL REFILL - DOOR OUTSIDE VERSION

STEELOCK SYSTEM - VENT POSITION



STEELOCK SYSTEM - ADJUSTABLE FLANGE



DOOR OUTSIDE



DOOR INSIDE

WATERPROOF LED THERMOSTAT



- 1 - on/off ice production switch
- 2 - freezer mode with 3 temperature setting up to -18°C
- 3 - electronic water level sensor (refill version only)

NEW HIGH CAPACITY WATER TANK (7 LITERS)

High capacity:
7 liters

Easy washable by hand
Cap diameter 100 mm.

Quick plug
for water tube

Water level sensor

