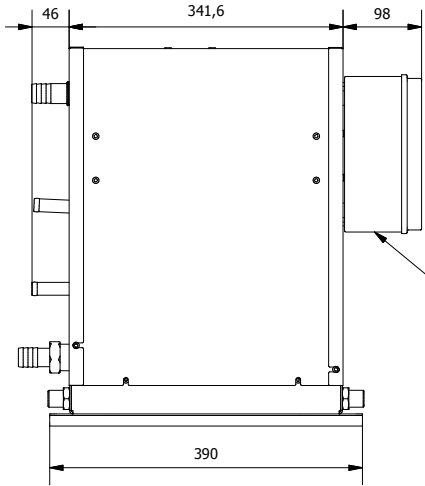
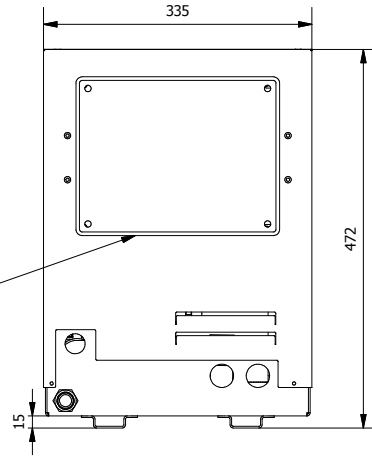


### SIDE VIEW

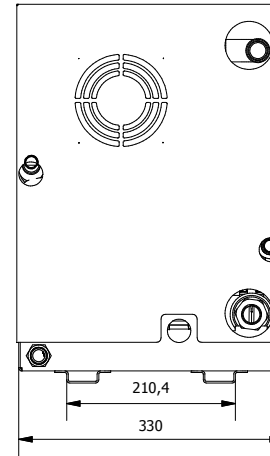


### FRONT VIEW

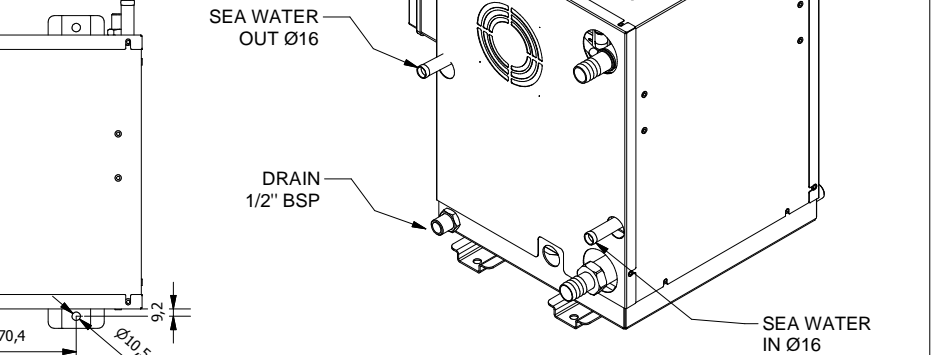
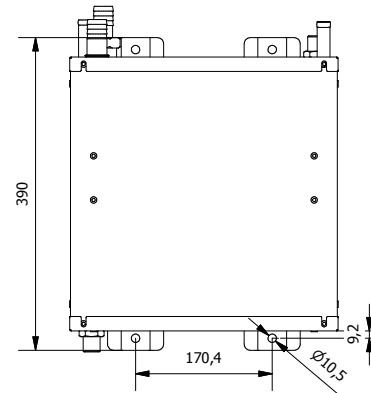
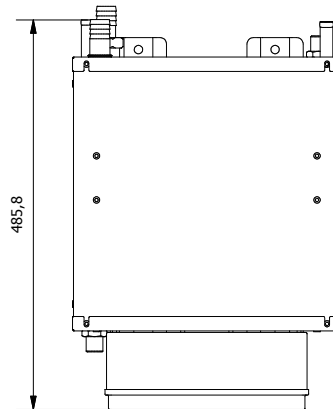


WIRING AND CONNECTORS FROM BOTTOM OF ELECTRICAL BOX

### BACK VIEW



### TOP VIEW



### TECHNICAL SPECIFICATION

NOMINAL CAPACITY	0-35.000 Btu/hr
NOMINAL TENSION AND FREQUENCY	230 V - 50 Hz
REFRIGERANT	R410a
REFRIGERANT CHARGE	500 g (per unit)
COOL MODE CURRENT*	2.1-9.0 A
HEAT MODE CURRENT*	2.5-10.5 A
START CURRENT	0 A
MAX CURRENT	12-13 A
SEA WATER IN CONNECTION	Ø16
SEA WATER OUT CONNECTION	Ø 16
FRESH WATER IN CONNECTION	Ø 25
FRESH WATER OUT CONNECTION	Ø 25
SOUND LEVEL	59,5 **
WEIGHT	42 Kg
SEA WATER FLOW	25 lit/min
FRESH WATER FLOW	30 lit/min
SEA WATER (MIN-MAX) TEMPERATURES	5°C - 38°C
INVERTER	WATER-COOLED - INTERNAL
ELECTRICAL BOX SIZE	250x200x100 [MM] - pre-mounted
COLOR (unit + frame)	PAINTED WHITE RAL9010
ZINC ESTIMATED PROTECTION TIME	not mounted ***

\* based on nominal conditions:  
cooling --> Sea water in 25°C, Fresh water in 12°C  
heating --> Sea water in 15°C, Fresh water in 40°C

\*\* methodology notes:  
measurements made at 1.5mt distance from the unit under test  
in a normal testing lab (no anechoic chamber) with background noise of 47.5 dB

\*\*\* Additional zinc anodes inline of the chiller available upon request

NOTE: sea water flow meter available upon request

0	06/03/2019	First emission	S.Gallazzi	S.Gallazzi
REV	DATE	DESCRIPTION	DRAWN BY	APPROVED BY
Model line:	DC INVERTER	Description:	Drawn by:	
Code number:	MDC00351J_NWNN_	CHILLER UNIT DC 35	Approved by:	
Date:	19/04/2019		Scale: 0.15 Format: A3 Page: 1	



Veco S.p.a. Via G. Cantore 6/8 GIUSSANO (MB) 20833 - ITALY  
tel: +39 036235321 email: info@veco.net internet: www.veco.net