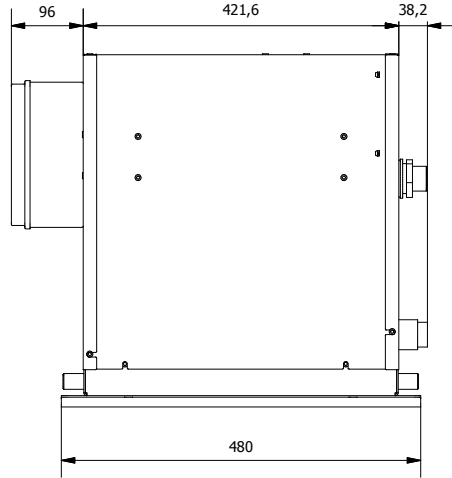
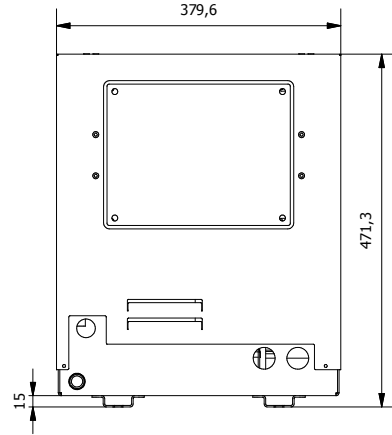


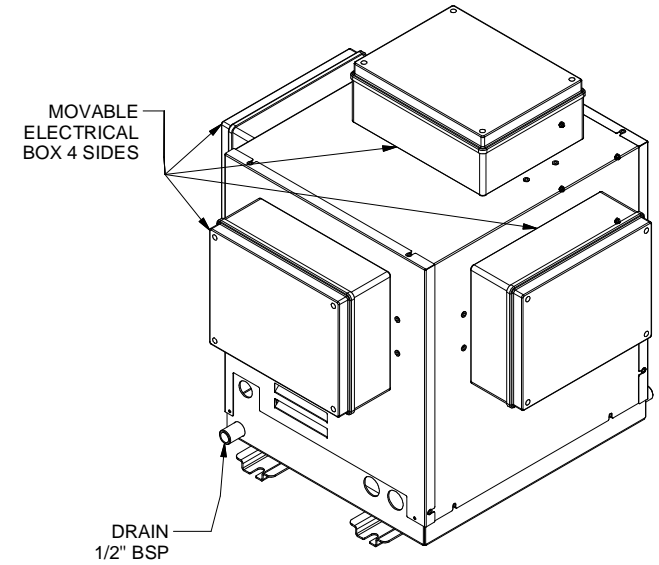
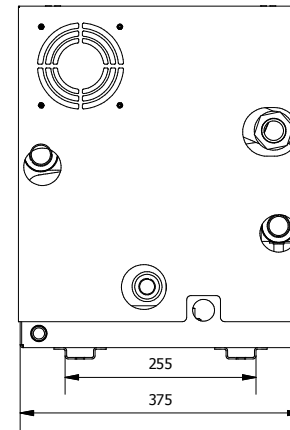
SIDE VIEW



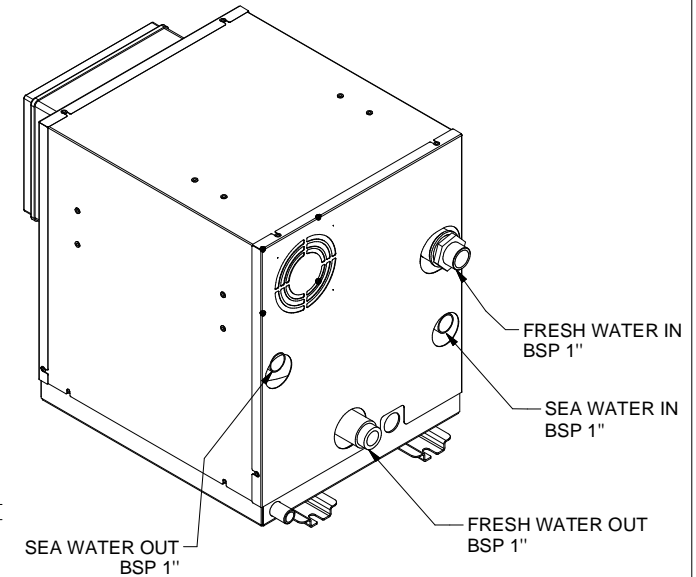
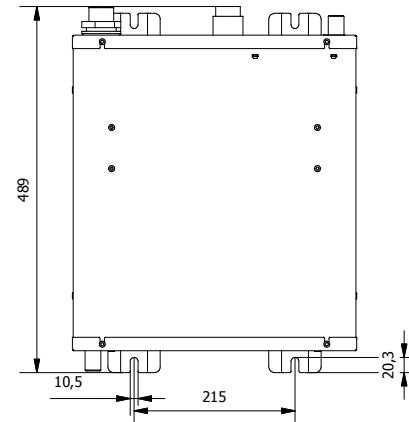
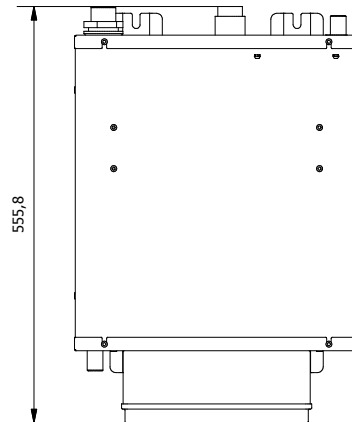
FRONT VIEW



BACK VIEW



TOP VIEW



TECHNICAL SPECIFICATION

NOMINAL CAPACITY	0-50.000 Btu/hr
NOMINAL TENSION AND FREQUENCY	230 V - 50 Hz
REFRIGERANT	R410a
REFRIGERANT CHARGE	1.180 g (per unit)
COOL MODE CURRENT*	2.9-18.5 A
HEAT MODE CURRENT*	3.8-23.8 A
START CURRENT	0 A
MAX CURRENT	24-25 A
SEA WATER IN CONNECTION	1" BSP
SEA WATER OUT CONNECTION	1" BSP
FRESH WATER IN CONNECTION	1" BSP
FRESH WATER OUT CONNECTION	1" BSP
SOUND LEVEL	53.7 **
WEIGHT	55 Kg
SEA WATER FLOW	2 cu.mt/hr (34 lit/min)
FRESH WATER FLOW	2 cu.mt/hr (34 lit/min)
SEA WATER (MIN-MAX) TEMPERATURES	5°C - 38°C
INVERTER	WATER-COOLED - INTERNAL
ELECTRICAL BOX SIZE	250x200x100 [MM] - pre-mounted
COLOR (unit + frame)	PAINTED WHITE RAL9010
ZINC ESTIMATED PROTECTION TIME	not mounted ***

* based on nominal conditions:
cooling --> Sea water in 25°C, Fresh water in 12°C
heating --> Sea water in 15°C, Fresh water in 40°C

** methodology notes:
measurements made at 1.5mt distance from the unit under test
in a normal testing lab (no anechoic chamber) with background noise of 42.4 dB

*** Additional zinc anodes inline of the chiller available upon request

NOTE: sea water flow meter available upon request

0	01/09/2019	First emission	S.Gallazzi	S.Gallazzi
REV	DATE	DESCRIPTION	DRAWN BY	APPROVED BY
Model line: DC INVERTER		Description: CHILLER UNIT DC 50	Drawn by: L. Ulfo	
Code number: MDC0050			Approved by:	
Date: 01/07/2019			Scale: 0,14 : 1 Format: A3 Page: 1	



Veco S.p.a. Via G. Cantore 6/8 GIUSSANO (MB) 20833 - ITALY
tel: +39 036235321 email: info@veco.net internet: www.veco.net