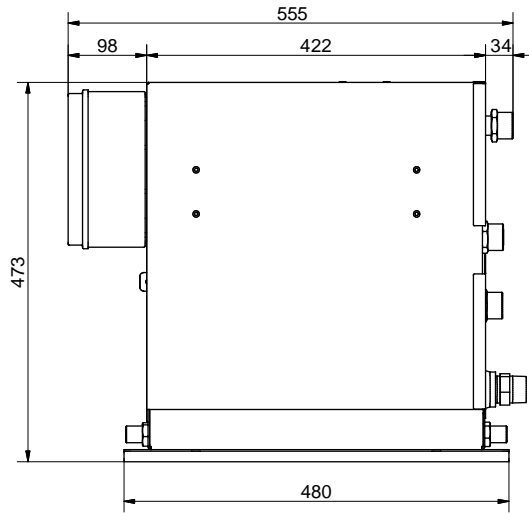
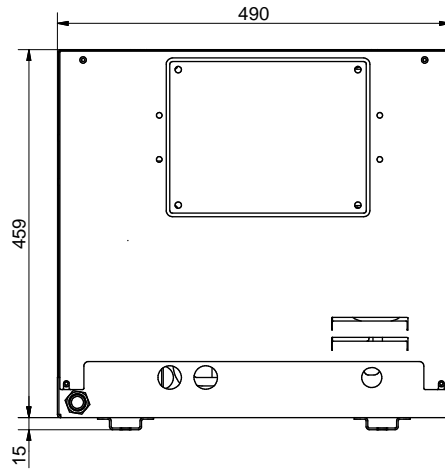


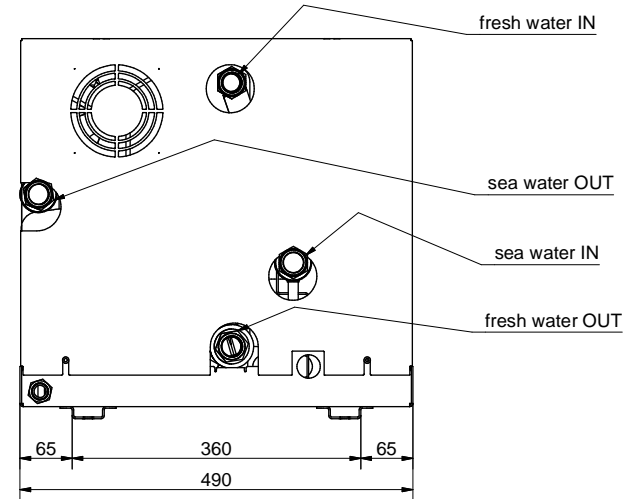
SIDE VIEW



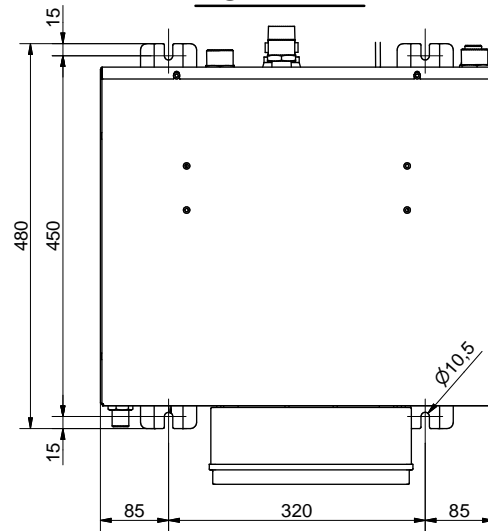
FRONT VIEW



BACK VIEW



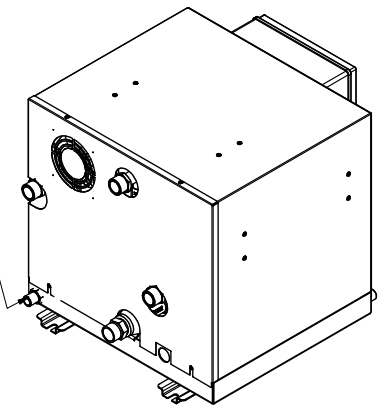
TOP VIEW



MOVABLE ELECTRICAL BOX 4 SIDES

DRAIN 1/2" BSP

DRAIN 1/2" BSP



TECHNICAL SPECIFICATION

NOMINAL TENSION AND FREQUENCY	400 V - 50/60 Hz	230 V - 50/60Hz
NOMINAL CAPACITY	0-65.000 Btu/hr	0-65.000 Btu/hr
REFRIGERANT	R410a	R410a
REFRIGERANT CHARGE	915 g	915 g
COOL MODE CURRENT*	0-11.7 A	0-22.2 A
HEAT MODE CURRENT*	0-13.5 A	0-26.6 A
START CURRENT	0 A	0 A
MAX CURRENT	15 A	33 A
SEA WATER IN CONNECTION	1" M BSP	1" M BSP
SEA WATER OUT CONNECTION	1" M BSP	1" M BSP
FRESH WATER IN CONNECTION	1" M BSP	1" M BSP
FRESH WATER OUT CONNECTION	1" M BSP	1" M BSP
SOUND LEVEL**	XX - XX dB (single unit)	XX - XX dB (single unit)
WEIGHT	55 Kg	55 Kg
SEA WATER FLOW	3 m3/h	3 m3/h
FRESH WATER FLOW	3 m3/h	3 m3/h
SEA WATER (MIN-MAX) TEMPERATURES	5°C - 38°C	5°C - 38°C
INVERTER	WATER-COOLED - INTERNAL	WATER-COOLED - INTERNAL
ELECTRICAL BOX SIZE	250x200x100 [MM] - PREMOUNTED	250x200x100 [MM] - PREMOUNTED
COLOR (unit + frame)	PAINTED WHITE RAL9010	PAINTED WHITE RAL9010

* based on nominal conditions:
cooling --> Sea water in 25°C, Fresh water in 12°C
heating --> Sea water in 15°C, Fresh water in 40°C

** methodology notes:
measurements made at 1.5mt distance from the unit under test in a normal testing lab (no anechoic chamber) with background noise of 42.4 dB

NOTE: sea water flow meter available upon request

REV	DATE	DESCRIPTION	DRAWN BY	APPROVED BY
0	10/06/2020	First emission	L.Ulfo	S.Gallazzi
Model line: DC INVERTER		Description: CHILLER UNIT DC65	Drawn by: L. Ulfo	
Code number: MDC00651__			Approved by:	
Date: 11/05/2020			Scale: 0.15 Format: A3 Page: 1	
Veco S.p.a. Via G. Cantore 6/8 GIUSSANO (MB) 20833 - ITALY tel: +39 036235321 email: info@veco.net internet: www.veco.net				