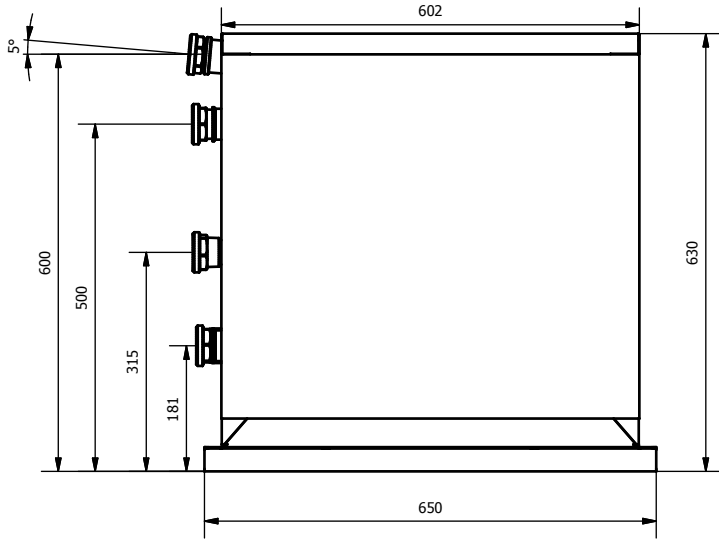
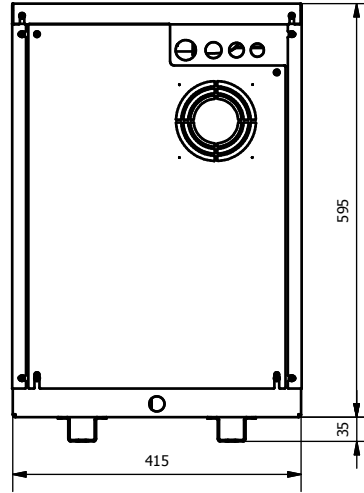


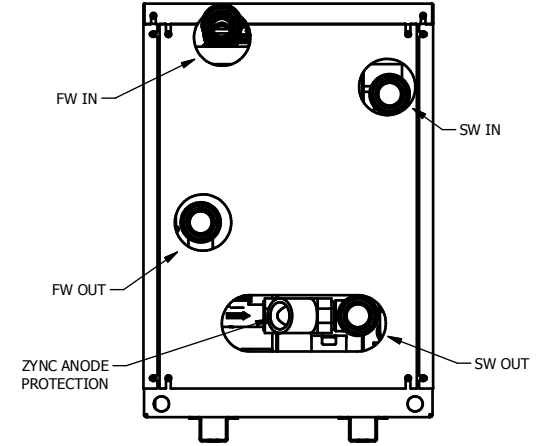
SIDE VIEW



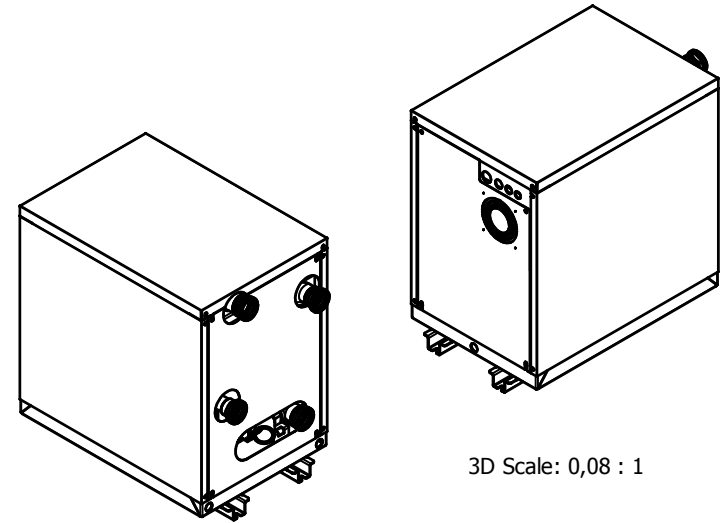
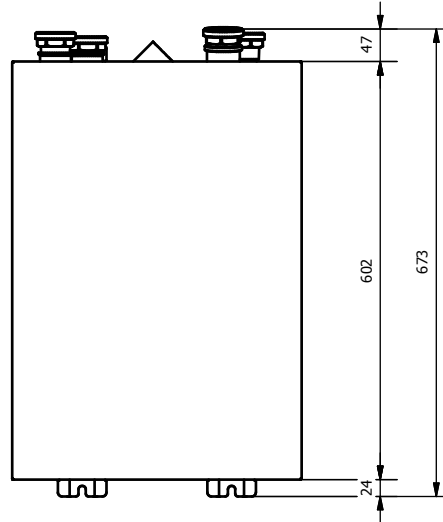
FRONT VIEW



BACK VIEW



TOP VIEW



3D Scale: 0,08 : 1

TECHNICAL SPECIFICATION

NOMINAL CAPACITY	0-130.000 Btu/hr
NOMINAL TENSION AND FREQUENCY	400 V - 50 Hz
REFRIGERANT	R410a
REFRIGERANT CHARGE	1990 g
COOL MODE CURRENT*	2.7-13.7 A
HEAT MODE CURRENT*	3.1-15.7 A
START CURRENT	0 A
MAX CURRENT	18 A
SEA WATER IN CONNECTION	2" M BSP **
SEA WATER OUT CONNECTION	2" M BSP **
FRESH WATER IN CONNECTION	2" M BSP **
FRESH WATER OUT CONNECTION	2" M BSP **
SOUND LEVEL	53.4 - 63.5 dB ***
WEIGHT	120 Kg
SEA WATER FLOW	6.5 mc/h
FRESH WATER FLOW	6.5 mc/h
SEA WATER (MIN-MAX) TEMPERATURES	5°C - 38°C
INVERTER	WATER-COOLED - INTERNAL
ELECTRICAL BOX	INTERNAL
COLOR	PAINTED WHITE RAL9010
ZINC ESTIMATED PROTECTION TIME	1 YEAR ****

* based on nominal conditions:
cooling --> Sea water in 25°C, Fresh water in 12°C
heating --> Sea water in 15°C, Fresh water in 40°C

** three way unions --> possible reduction to 1" ¼ F with kit part number M89780

*** methodology notes:
measurements made at 1.5m distance from the unit under test
in a normal testing lab (no anechoic chamber) with background noise of 46 dB

**** Consumption may vary based on each specific installation. Please verify periodically the status of the zinc

0	21/12/2018	First emission	L.Ulfo	S.Gallazzi
REV	DATE	DESCRIPTION	DRAWN BY	APPROVED BY
Model line: DC INVERTER		Description: DC 130 - 400/3/50 - SINGLE UNIT	Drawn by: L. Ulfo	
Code number: MDC01301_NWNN			Approved by: S. Gallazzi	
Date: 21/12/2018			Scale: 0,13 : 1	Format: A3



Veco S.p.a. Via G. Cantore 6/8 GIUSSANO (MB) 20833 - ITALY
tel: +39 036235321 email: info@veco.net internet: www.veco.net