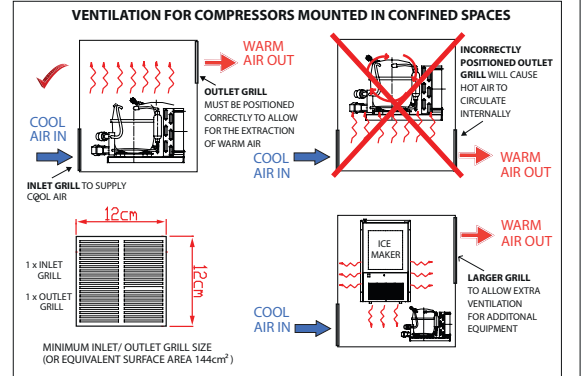
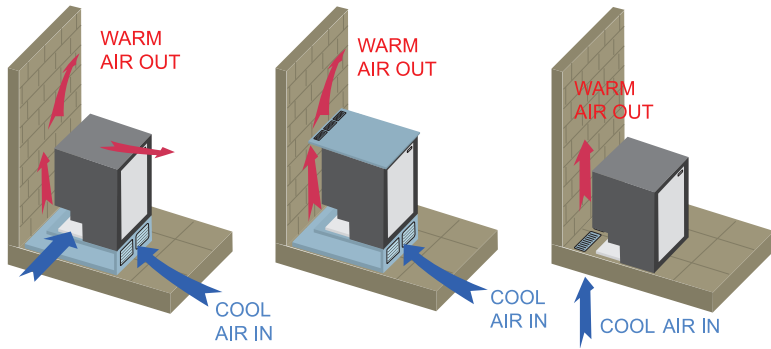
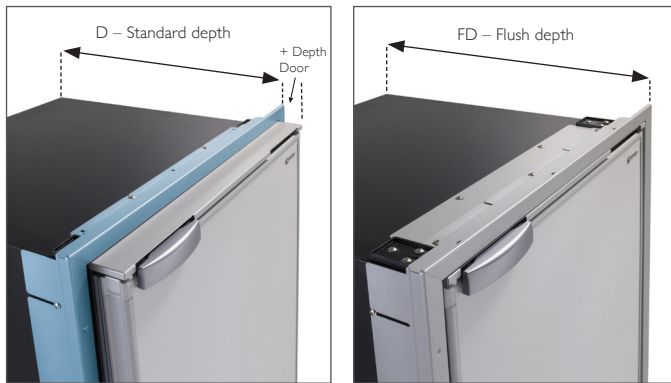


VENTILATION REQUIREMENTS

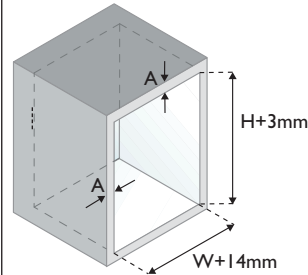


SIZING OF APERTURE & OPTIONAL FITTING FRAME

Fitting frame can be installed with door proud or flush.



FITTING DETAIL



When sizing the aperture for a frame add 14mm to the width and 3mm to the height of the fridge.
Frame flange A=25mm.

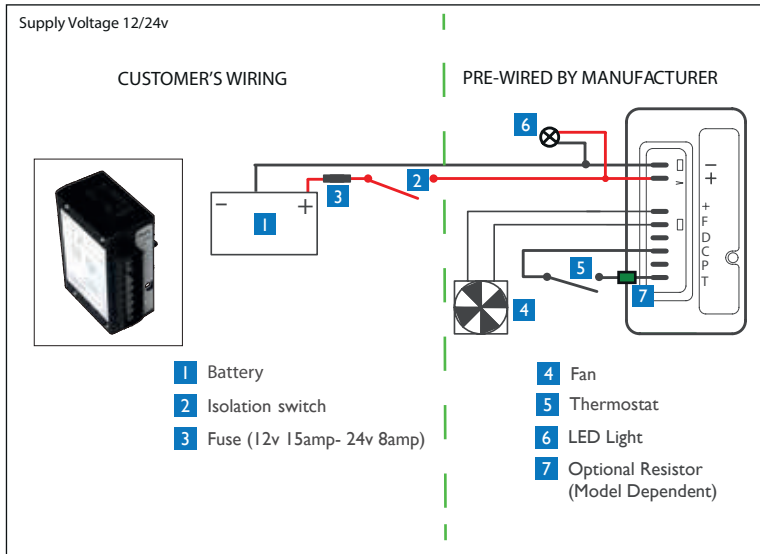
AIRLOCK CATCH



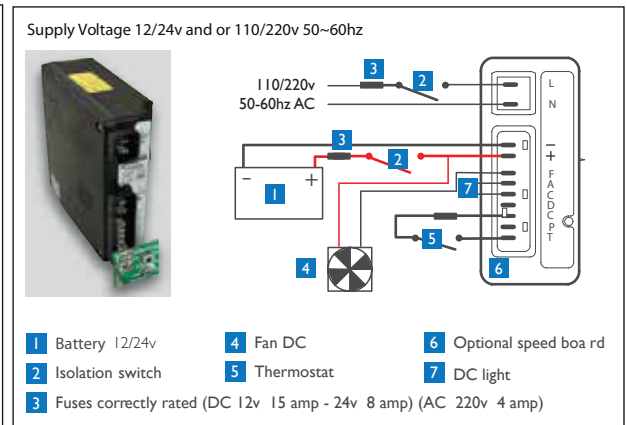
Slide to vent position

ELECTRICAL WIRING VITRIFRIGO FRIDGES 12/24v

CONTROLLER 12/24v



MULTIVOLTAGE CONTROLLER



MIN WIRE SIZES - DC Supply

	12v	24v
Up to 2 m	2.5 mm ²	1.5 mm ²
2 - 4 m	4 mm ²	2.5 mm ²
4 - 6 m	6 mm ²	4 mm ²
6 - 8 m	8 mm ²	6 mm ²