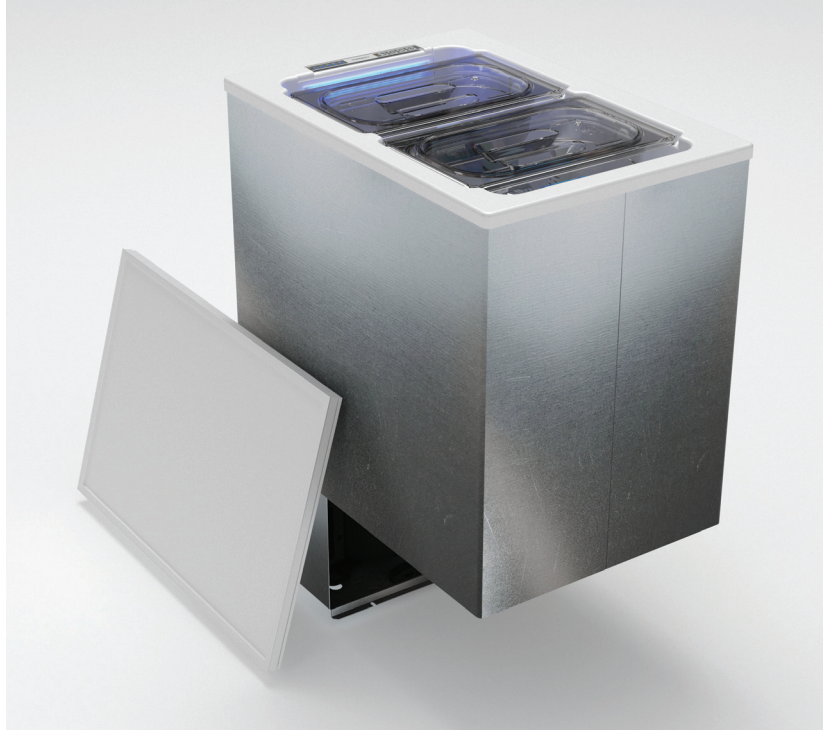
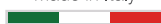


TL43



Made in Italy



3+ DAYS

RUN FOR
3 OR MORE DAYS
ON A 100 A/H
LEISURE BATTERY

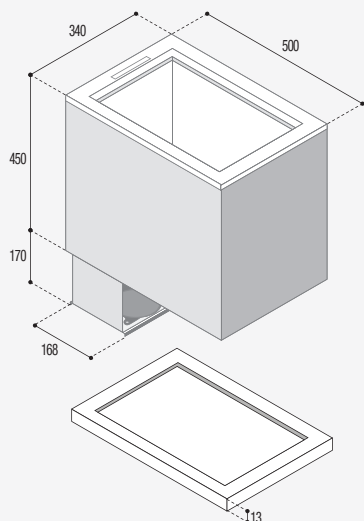
SAVE YOUR MONEY AND THE ENVIRONMENT



Total volume 40 lt.

Net weight 17 kg.

Power supply and
nominal consumption 12/24 Vdc
45 W



▷ TL43

COOL FASTER LASTS LONGER



VITRIFRIGO

COOL AND BEYOND

➤ TL43

TOP LOADING FRIDGE/FREEZER



SPECIALLY DESIGNED FOR VEHICLE INSTALLATION

OVER THE WHEEL ARCH

- Using the Vitrifrigo cooling unit for market leading power consumption
- Temperature control with **Innovative Membrane LED Digital Thermostat** featuring:
 - Turbo mode for fast chill to achieve temperature quicker
 - Night mode for minimum noise level and reduced power consumption when running at night

- Inside out fixings and concealed lid fixings for easy installation
- Internal LED light
- Removable seal
- Optional external drain
- Smart storage for large and small bottles with FDA approved food storage containers
- Option to remote mount the compressor up to 1.5mt



SMART STORAGE

